

# SHARP



TINS-H636WJZZ

## 4T-C50DL1X 4T-C50DK1X

# AQUOS

LED背光電視  
初始設定指南

LED BACKLIGHT TV  
Initial setup guide

HDMI®

Dolby Audio


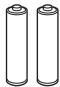



Bluetooth®

WiFi  
CERTIFIED

馬來西亞印製  
TINS-H636WJZZ  
22P09-MA-NS

CT - 1

### A. 隨機附件 Supplied accessories

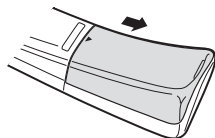
<p>① 遙控器 (× 1 支) Remote control unit (× 1)</p> 	<p>② “AAA” 型鹼性電池 (× 2 支) “AAA” size battery (× 2)</p> 	<p>③ 初始設定指南 Initial setup guide</p>
<p>④ 台座 Stand base</p>  <p>L</p>  <p>R</p>		<p>⑤ 螺絲釘 Screws</p> 

CT - 2

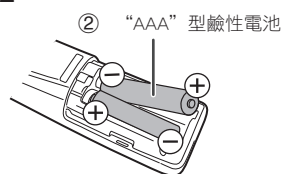
## B. 裝入電池 Inserting the batteries

### 遙控器

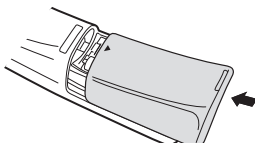
1



2

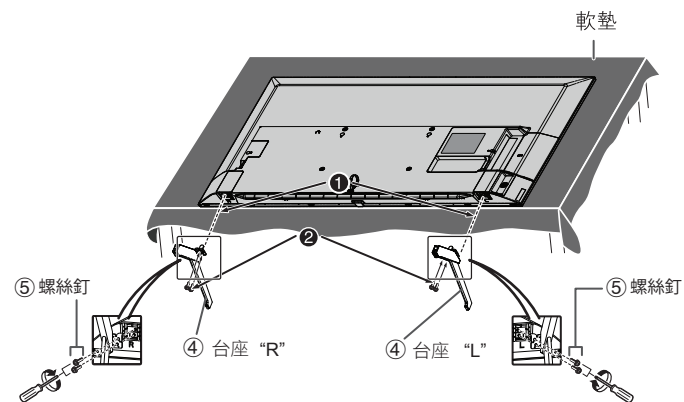


3



## C. 連接台座單位 Attaching the stand

1. 組裝時請在一張穩定、平坦、寬大且有軟墊的桌子上進行。  
Assemble on a soft cushion on a stable, flat and wide table.
2. 與兩個或更多人一起工作。  
抬起時請勿抓住電視機的角。  
Work with two or more people.  
Do not grab the corners of the TV when lifting.
3. 安裝完成前請勿取下保護墊。  
Do not remove the protective pad until the installation is completed.



步驟 ① 將支架裝配插入電視機底部的開口中。

Step ① Insert the stand assembly into the openings on the bottom of the TV.

步驟 ② 將螺絲釘插入電視機後部的孔內並擰緊。

Step ② Insert and tighten the screws into the holes on the bottom of the TV.

### 警告 CAUTION

- 在組裝電視機之前請勿取下保護墊。否則，屏幕可能會因直接壓力而損壞。
- Do not remove protective pad until TV is assembled. Otherwise, the screen can be damaged from direct pressure.

## 親愛的 SHARP 顧客

衷心感謝您購買 SHARP 液晶電視機。為確保安全使用本機及令本機更加耐用，請務必在使用本產品前仔細閱讀重要的安全注意事項。

### 重要的安全注意事項

[ CHINESE (CT) ]

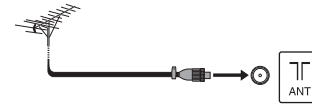
- 必須安裝台座，以防止電視機跌落造成傷害。
- 清潔—清潔產品前，請從交流電源插座上拔下交流電源線。使用柔軟濕潤的布料來清潔產品。請勿使用液態清潔劑，氣溶膠清潔劑或沾染化學成分的布料來清理，因為此類材料可能會損壞產品。
- 水和潮濕 — 不要在近水之處使用本機，例如在靠近洗澡盆，洗臉盆，廚房洗滌槽，洗衣盆，游泳池等，也不要潮濕的地下室中使用。
- 請勿在本機之上放置花瓶或任何其他盛水的容器。若有水滴濺到本機上，就可能引起火災或觸電。
- 不要將本機放置於不穩定的推車，台座，三腳架或桌面上。不穩固的基座可能會使本機掉落，導致嚴重的人身傷害以及造成產品損壞。請僅使用本製造商所推薦或與本產品配套出售的推車，台座，三腳架，托架或桌子。將本機安裝與牆上時，請務必遵照本製造商的指示。而且只可以使用本製造商所推薦的安裝器材。
- 將本機放置於推車上搬運時，必須小心注意安全。急停，用力過度，地面不平等等，都會導致本機從推車上掉落。
- 通風 — 本機外殼上的散熱孔與其他開口處都是用於散熱通風。請勿堵塞這些散熱孔或開口處，通風散熱不良會使本機過熱和/或縮短本機的使用壽命。請勿將本機置於臥室，沙發，地毯或其他類似物品上，因為這些物品會堵塞散熱通風孔。本機之設計不適用於嵌入式安裝；所以不要將本機置於像書櫃，機架等封閉之處，除非提供合適的通風或遵照本製造商的指示安裝。
- 本機所用之液晶電視機用玻璃製造的。因此，在受到強力撞擊或遭到尖銳物品刻劃時會破損。萬一液晶電視機破碎，請小心不要被破碎玻璃割傷。
- 熱源 — 請勿讓本機接近熱源，如暖氣機，加熱器，爐灶或者其他任何會產生熱能的產品（包括廣大機在內）。
- 為防止發生火災，請勿將任何種類的蠟燭或火焰置於電視機上或其附近。
- 為了防止火災或觸電的危險，請勿將交流電源線置於電視機或其他重物下。
- 請勿在本機之上放置重物或攀爬於本機之上。這樣做可能導致本機傾倒而造成傷害。特別要注意附近的兒童和寵物。
- 液晶螢幕採用極高精度技術製造，有效像素達到 99.99% 以上。0.01% 或以下的缺失像素，或者那些始終亮著的像素不是故障。
- **在搬運電視機時的注意事項**

在搬運電視機時，切勿握持或施加壓力於顯示屏上。任何時候都必須由兩個人或多人用雙手搬運 — 電視機的每一側用一雙手握住。
- 請勿長時間顯示靜止畫面，這可能會導致殘留影像。
- 請將本機安裝於能夠很容易地將交流電源線從交流電源插座和本機機背後的 AC INPUT（交流電源輸入）端子上撥出的地方。
- 如果電視不是放置在平穩的地方，電視機可能有掉落的危險。很多尤其對於兒童的傷害，可以通過採取簡單的預防措施而避免，例如：
  - 使用本電機製造商所推薦的櫥櫃或台座。
  - 僅使用可以安全支撐電視的家具。
  - 確保電視沒有外伸在支撐家具的邊緣。
  - 在沒有錨固家具和電視於適合的支座的情況下，勿將電視放置在高的家具上（例如櫥櫃或書架）。
  - 請勿將電視放置在布料或其他放置在電視和支撐家具之間的物質上。
  - 教導兒童有關攀爬家具以觸及電視或控制器的危險。
- 請勿將電視機安裝在空調機下方或加濕器附近等會受到水滴影響的位置。
  - 水滴掉落在電視機上並進入其中可能會造成起火，電擊或故障。
  - 建議您將電視機安裝在距離冷氣出口至少 1 米的位置。

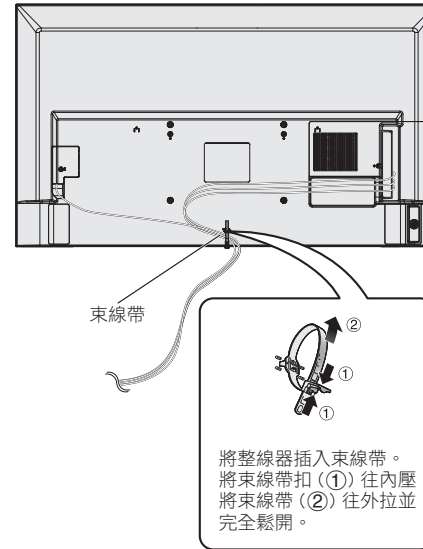
## 初始安裝

第一次使用本電視機時，請按照以下步驟逐一操作。視您的電視機安裝與連接而定，可能不需要進行某些步驟。

- 1 將天線連接線連接至天線端子。

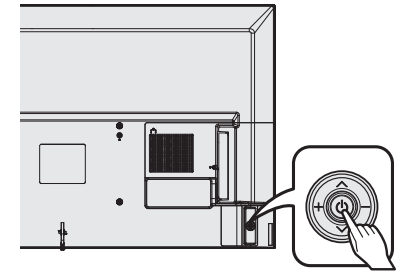


- 2 將交流電源線插入交流電源插座。



- 將電視機放在靠近交流電源插座的位置，以便電源插頭就近使用。

- 3 按下電視機上的 (飛梭鍵)。



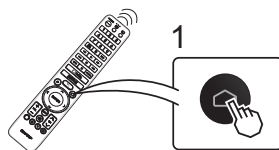
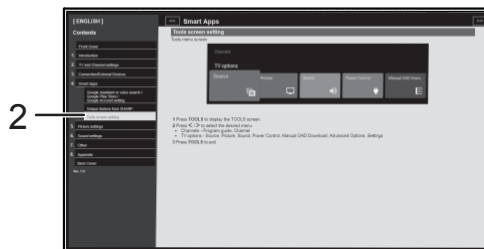
- 4 執行初始安裝。
  - 按照電視機螢幕上的指示設置設定。

## 觀看電子手冊

### 觀看內建操作手冊

內建操作指南顯示於螢幕上。您可以閱讀此裝置的操作說明。

- 1 按下  $\square$  (首頁)，顯示 HOME (首頁) 畫面，然後按下  $\wedge / \vee / \langle / \rangle$  選擇「設定」。  
按下  $\wedge / \vee$  選擇「應用程式」，按下  $\wedge / \vee$  選擇「手冊」，然後按下 **ENTER** (確定)。將顯示內建操作手冊畫面。
- 2 選擇目錄時，將顯示其頁面。



## 附錄

### 疑難排解

下述問題並非一定由於故障而引起。將電視機送修之前，請再次檢查電視機。

問題	可能的解決方案
<ul style="list-style-type: none"> <li>沒有電源。</li> </ul>	<ul style="list-style-type: none"> <li>檢查是否按下了遙控器上的 <b>POWER</b> (電源)。</li> <li>AC 電源線是否中斷連接？</li> <li>主電源是否被打開？</li> </ul>
<ul style="list-style-type: none"> <li>遙控器無法運作。</li> </ul>	<ul style="list-style-type: none"> <li>電池是否按極性 (+、-) 放入？</li> </ul>
<ul style="list-style-type: none"> <li>沒有影像。</li> </ul>	<ul style="list-style-type: none"> <li>與其他組件的連接是否正確？</li> </ul>
<ul style="list-style-type: none"> <li>沒有聲音。</li> </ul>	<ul style="list-style-type: none"> <li>與其他組件的連接是否正確？</li> </ul>

### 清除密碼

如果您忘記了密碼，請依照下列步驟來清除密碼。

- 1 在 HOME (首頁) 畫面中，選擇「設定」>「裝置偏好設定」>「關於」>「恢復原廠設定」，然後按下 **ENTER** (確定)。
  - 2 電視機重置後將恢復原廠設定，需重設密碼。
- 註**
- 以防萬一，請記下密碼並妥善保管。

### 設備上的符號



- 此標誌表示產品在交流電壓下工作。



- 此標誌表示 II 類或雙重絕緣電器，其中產品不需要電氣接地的安全連接。

## 規格

項目	型號	4T-C50DL1X	4T-C50DK1X	
液晶面板		126 cm		
解析度		8,294,400 像素 (3840 × 2160)		
視頻彩色系統		PAL / SECAM / NTSC 3.58 / NTSC 4.43 / PAL 60		
電視功能	電視-標準	模擬	PAL: B/G, D/K, I SECAM: B/G, D/K, K/K1 NTSC: M	
		數碼	DTMB	
	接收頻道	VHF/UHF	44.25—863.25 MHz	
		數碼地面廣播	52.50—866.00 MHz	
	電視-調諧系統	自動預設		
立體聲/雙語	NICAM: B/G, I, D/K A2 立體聲: B/G MTS: M			
音頻放大器		10 W × 2		
端子	天線	UHF/VHF 75 Ω DIN 型		
	HDMI 1 (eARC/ARC) (輸入 1)	HDMI (HDMI 輸入), eARC/ARC		
	HDMI 2 (輸入 2)	HDMI (HDMI 輸入)		
	HDMI 3 (輸入 3)	HDMI (HDMI 輸入)		
	HDMI 4 (輸入 4)	HDMI (HDMI 輸入)		
	AV IN (影音輸入)	音頻輸入, 視訊輸入		
	USB 1	USB (DC5V 1.5A 輸出)		
	USB 2	USB (DC5V 1.5A 輸出)		
	LAN (乙太網絡) (10/100 BASE-T)	網路連接器		
	DIGITAL AUDIO OUTPUT (數位聲音輸出)	光學 S/PDIF 數位聲音輸出		
	輸出	耳機 (φ 3.5 mm 立體聲)		
	SERVICE ONLY (僅供售後服務使用)	φ 3.5 mm 插孔		
WIFI 協議	IEEE 802.11 a/b/g/n/ac 2T/2R 雙頻			
WIFI 安全	WPA/WPA/WPA2			
Bluetooth	V2.1/3.0/4.2/5.0			
螢幕顯示語言	英文 / 簡體中文 / 繁體中文 (香港)			
額定電壓額定頻率	AC 110 - 240 V, 50/60 Hz			
額定消耗電功率	待機	145 W	123 W	
		0.6 W	0.6 W	
尺寸	不含台座 寬 × 高 × 深 (mm)	1118 × 655 × 80		
	含台座 寬 × 高 × 深 (mm)	1118 × 720 × 273		
不含台座重量 (含台座重量)	11.0 kg (11.5 kg)			
操作溫度	0°C 到 + 40°C			

- 作為不斷改進政策的一部份，SHARP 保留改進產品而變更設計和規格的權利，恕不另行通知。以上性能規格的數值為產品設備的標稱值。個別設備的相關數值可能略有差異。

### 注意

- 安裝液晶電視機需要專業技術，因此必須由合格的維修人員進行。顧客不應自行嘗試安裝。SHARP 對於安裝不當或安裝造成的事故或傷害不承擔任何責任。
- 開始操作前，請詳細閱讀托架隨附的說明。
- 請勿在傾斜狀態下安裝/壁掛電視機。

## Dear SHARP customer

Thank you for your purchase of the SHARP LCD colour TV product. To ensure safety and many years of trouble-free operation of your product, please read the Important Safety Precautions carefully before using this product.

## Important Safety Precautions

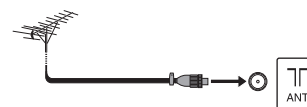
[ENGLISH EN]

- Stand base must be attached to prevent the TV set from falling down and cause injuries.
- Cleaning — Unplug the AC cord from the AC outlet before cleaning the product. Use a soft damp cloth to clean the product. Do not use liquid cleaners, aerosol cleaners or chemical cloth to clean it, as such materials may damage the product.
- Water and moisture — Do not use the product near water, such as bathtub, washbasin, kitchen sink, laundry tub, swimming pool and in a wet basement.
- Do not place vases or any other water-filled containers on this product. The water may spill onto the product causing fire or electric shock.
- Stand — Do not place the product on an unstable cart, stand, tripod or table. Doing so can cause the product to fall, resulting in serious personal injuries as well as damage to the product. Use only a cart, stand, tripod, bracket or table recommended by the manufacturer or sold with the product. When mounting the product on a wall, be sure to follow the manufacturer's instructions. Use only the mounting hardware recommended by the manufacturer.
- When relocating the product placed on a cart, it must be moved with utmost care. Sudden stops, excessive force and uneven floor surface can cause the product to fall from the cart.
- Ventilation — The vents and other openings in the cabinet are designed for ventilation. Do not cover or block these vents and openings since insufficient ventilation can cause overheating and/or shorten the life of the product. Do not place the product on a bed, sofa, rug or other similar surface, since they can block ventilation openings. This product is not designed for built-in installation; do not place the product in an enclosed place such as a bookcase or rack, unless proper ventilation is provided or the manufacturer's instructions are followed.
- The LCD panel used in this product is made of glass. Therefore, it can break when the product is struck forcefully or with a sharp object. If the LCD panel is broken, be careful not to be injured by broken glass.
- Heat sources — Keep the product away from heat sources such as radiators, heaters, stoves and other heat-generating products (including amplifiers).
- To prevent fire, never place any type of candle or naked flames on the top or near the TV set.
- To prevent fire or shock hazard, do not place the AC power cord under the TV set or other heavy items.
- Do not place heavy objects on this product or stand on it. Doing so could cause injury if the product overturns. Take special care near children and pets.
- The LCD panel is made with extremely high precision technology, and has 99.99% or more effective pixels. The 0.01% or less missing pixels or those that are always lit is not a malfunction.
- **Precautions when transporting the TV**
  - When transporting the TV, never carry it by holding or otherwise putting pressure onto the display. Be sure to always carry the TV by two people holding it with two hands — one hand on each side of the TV.
  - Do not display a still picture for a long time, as this could cause an afterimage to remain.
  - Install the product on the place where the AC cord can be unplugged easily from the AC outlet or from the AC INPUT terminal on the rear of the product.
  - If a television is not positioned in a sufficiently stable location, it can be potentially hazardous due to falling. Many injuries, particularly to children, can be avoided by taking simple precautions such as:
    - Using cabinets or stands recommended by the manufacturer of the television.
    - Only using furniture that can safely support the television.
    - Ensuring the television is not overhanging the edge of the supporting furniture.
    - Not placing the television on tall furniture (for example, cupboards or bookcases) without anchoring both the furniture and the television to a suitable support.
    - Not standing the televisions on cloth or other materials placed between the television and supporting furniture.
    - Educating children about the dangers of climbing on furniture to reach the television or its controls.
  - Do not install the TV in a location in which it will be subject to water drops such as underneath an air conditioning unit or in the vicinity of a humidifier.
    - Water drops falling onto the TV and water entering inside it may result in fire, electric shock, or malfunctions.
    - We recommend that you install the TV at least 1m away from the outlet of an air conditioner.

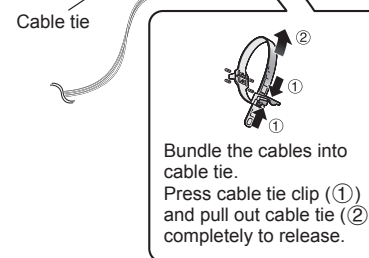
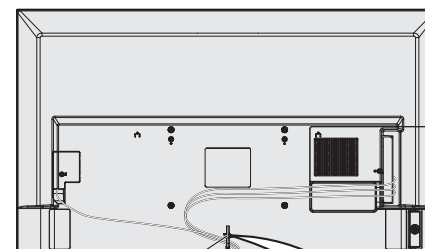
## Initial installation

Follow the steps below one by one when using the TV for the first time. Some steps may not be necessary depending on your TV installation and connection.

- 1 Connect an antenna cable to the antenna terminal.

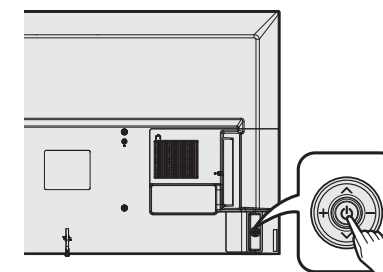


- 2 Plug the AC cord into the AC outlet.



- Place the TV close to the AC outlet, and keep the power plug within reach.

- 3 Press (JOG-KEY) on the TV.



- 4 Run the initial installation.
  - Follow the guide on the TV screen to set the settings.

## Viewing E-Manual

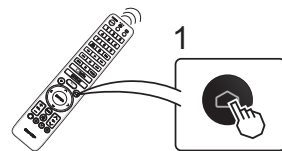
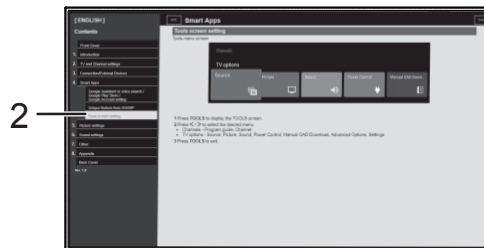
### Viewing the Built-in Operation Manual

Displays the built-in operation manual on the screen. You can read information about how to use this device.

- 1 Press **HOME** to display the HOME screen, and then press **^**/**v**/**<**/**>** to select "Settings". Press **^**/**v** to select "Apps", press **^**/**v** to select "Manual", and then press **ENTER**.

This displays the built-in operation manual screen.

- 2 When you select contents, its page will be displayed.



## Appendix

### Troubleshooting

The problems described below are not always caused by malfunctions. Check the TV again before having the TV serviced.

Problem	Possible Solution
• No power.	<ul style="list-style-type: none"> <li>• Check if you pressed <b>POWER</b> on the remote control unit.</li> <li>• Is the AC cord disconnected?</li> <li>• Has the power been turned on?</li> </ul>
• Remote control unit does not operate.	<ul style="list-style-type: none"> <li>• Are batteries inserted with polarity (+, -) aligned?</li> </ul>
• No picture.	<ul style="list-style-type: none"> <li>• Is connection to other components correct?</li> </ul>
• No sound.	<ul style="list-style-type: none"> <li>• Is connection to other components correct?</li> </ul>

### CLEARING THE PASSWORD

If you forget the password, clear the password using the following procedure.

- 1 From the HOME screen, select "Settings" > "Device Preferences" > "About" > "Factory reset", and then press **ENTER**.
- 2 When you perform a reset, the TV will be returned to the factory preset values, and you need to set the password again.

#### NOTE

- As a precautionary measure, make a note of your password, and keep it in a safe place.

### Symbols placed on equipment



- This mark indicates the product operates on AC Voltage.



- This mark indicates a class II or double insulated electrical appliance wherein the product does not require a safety connection to electrical earth (ground).

## Specifications

Item	Model	4T-C50DL1X	4T-C50DK1X
LCD panel		126 cm	
Resolution		8,294,400 pixels (3840 × 2160)	
Video colour system		PAL/SECAM/NTSC 3.58/NTSC 4.43/PAL 60	
TV function	TV-standard	Analogue	PAL: B/G, D/K, I SECAM: B/G, D/K, K/K1 NTSC: M
		Digital	DTMB
	Receiving channel	VHF/UHF	44.25—863.25 MHz
		DTV	52.50—866.00 MHz
	TV-tuning system	Auto Preset	
STEREO/BILINGUAL	NICAM: B/G, I, D/K A2 stereo: B/G MTS: M		
Audio amplifier		10 W × 2	
Terminals	ANT (Antenna input)	UHF/VHF 75 Ω DIN type	
	HDMI 1 (eARC/ARC)	HDMI (HDMI input), eARC/ARC	
	HDMI 2	HDMI (HDMI input)	
	HDMI 3	HDMI (HDMI input)	
	HDMI 4	HDMI (HDMI input)	
	AV IN	AUDIO in, VIDEO in	
	USB 1	USB (DC5V 1.5A output)	
	USB 2	USB (DC5V 1.5A output)	
	LAN (10/100 BASE-T)	Network connector	
	DIGITAL AUDIO OUTPUT	Optical S/PDIF digital audio output	
OUTPUT	Headphone (φ 3.5 mm stereo)		
SERVICE ONLY	φ 3.5 mm jack		
WIFI Protocole		IEEE 802.11 a/b/g/n/ac 2T/2R Dual Band	
WIFI Security		WFA/WPA/WPA2	
Bluetooth		V2.1/3.0/4.2/5.0	
OSD language		English/Simplified Chinese/Traditional Chinese (Hong Kong)	
Power requirement		AC 110 — 240 V, 50/60 Hz	
Power consumption		145 W	123 W
	Standby	0.6 W	0.6 W
Dimensions	without stand W x H x D (mm)	1118 × 655 × 80	
	with stand W x H x D (mm)	1118 × 720 × 273	
Weight without stand (with stand)		11.0 kg (11.5 kg)	
Operating temperature		0°C to +40°C	

- As a part of policy of continuous improvement, SHARP reserves the right to make design and specification changes for product improvement without prior notice. The performance specification figures indicated are nominal values of production units. There may be some deviations from these values in individual units.

#### CAUTION

- Installing the Liquid Crystal Television requires special skill that should only be performed by qualified service personnel. Customers should not attempt to do the work themselves. SHARP bears no responsibility for improper mounting or mounting that results in accident or injury.
- Carefully read the instructions that come with the bracket before beginning work.
- Do not install / mount the TV with tilting condition.

## Appendix

### Trademarks

Manufactured under license from Dolby Laboratories. Dolby, Dolby Audio, and the double-D symbol are trademarks of Dolby Laboratories Licensing Corporation.

The terms HDMI, HDMI High-Definition Multimedia Interface, HDMI trade dress and the HDMI Logos are trademarks or registered trademarks of HDMI Licensing Administrator, Inc.

The Wi-Fi CERTIFIED™ Logo is a certification mark of Wi-Fi Alliance®.

The Bluetooth® word mark and logos are registered trademarks owned by Bluetooth SIG, Inc. and any use of such marks by SHARP Corporation is under license. Other trademarks and trade names are those of their respective owners.

ANY USE OF THIS PRODUCT IN ANY MANNER OTHER THAN PERSONAL USE THAT COMPLIES WITH THE MPEG-2 STANDARD FOR ENCODING VIDEO INFORMATION FOR PACKAGED MEDIA IS EXPRESSLY PROHIBITED WITHOUT A LICENSE UNDER APPLICABLE PATENTS IN THE MPEG-2 PATENT PORTFOLIO, WHICH LICENSE IS AVAILABLE FROM MPEG LA, LLC, 6312 S. Fiddlers Green Circle, Suite 400 E, Greenwood Village, Colorado 80111 U.S.A.

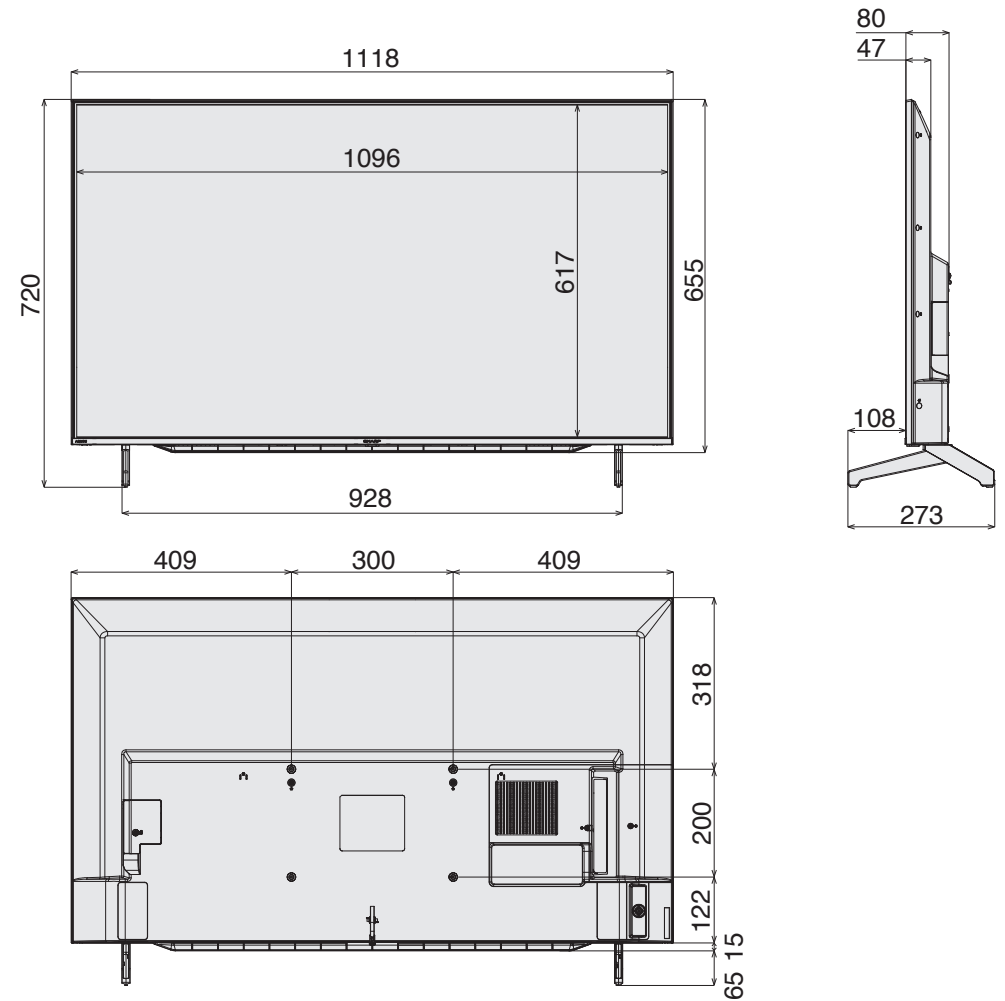
THIS PRODUCT IS LICENSED UNDER THE VC-1 PATENT PORTFOLIO LICENSE FOR THE PERSONAL AND NON-COMMERCIAL USE OF A CONSUMER TO (i) ENCODE VIDEO IN COMPLIANCE WITH THE VC-1 STANDARD ("VC-1 VIDEO") AND/OR (ii) DECODE VC-1 VIDEO THAT WAS ENCODED BY A CONSUMER ENGAGED IN A PERSONAL AND NON-COMMERCIAL ACTIVITY AND/OR WAS OBTAINED FROM A VIDEO PROVIDER LICENSED TO PROVIDE VC-1 VIDEO. NO LICENSE IS GRANTED OR SHALL BE IMPLIED FOR ANY OTHER USE. ADDITIONAL INFORMATION MAY BE OBTAINED FROM MPEG LA, L.L.C. SEE [HTTP://WWW.MPEGLA.COM](http://www.mpegla.com)

THIS PRODUCT IS LICENSED UNDER THE AVC PATENT PORTFOLIO LICENSE FOR THE PERSONAL USE OF A CONSUMER OR OTHER USES IN WHICH IT DOES NOT RECEIVE REMUNERATION TO (i) ENCODE VIDEO IN COMPLIANCE WITH THE AVC STANDARD ("AVC VIDEO") AND/OR (ii) DECODE AVC VIDEO THAT WAS ENCODED BY A CONSUMER ENGAGED IN A PERSONAL ACTIVITY AND/OR WAS OBTAINED FROM A VIDEO PROVIDER LICENSED TO PROVIDE AVC VIDEO. NO LICENSE IS GRANTED OR SHALL BE IMPLIED FOR ANY OTHER USE. ADDITIONAL INFORMATION MAY BE OBTAINED FROM MPEG LA, L.L.C. SEE [HTTP://WWW.MPEGLA.COM](http://www.mpegla.com)

THIS PRODUCT IS LICENSED UNDER THE MPEG-4 VISUAL PATENT PORTFOLIO LICENSE FOR THE PERSONAL AND NON-COMMERCIAL USE OF A CONSUMER FOR (i) ENCODING VIDEO IN COMPLIANCE WITH THE MPEG-4 VISUAL STANDARD ("MPEG-4 VIDEO") AND/OR (ii) DECODING MPEG-4 VIDEO THAT WAS ENCODED BY A CONSUMER ENGAGED IN A PERSONAL AND NON-COMMERCIAL ACTIVITY AND/OR WAS OBTAINED FROM A VIDEO PROVIDER LICENSED BY MPEG LA TO PROVIDE MPEG-4 VIDEO. NO LICENSE IS GRANTED OR SHALL BE IMPLIED FOR ANY OTHER USE. ADDITIONAL INFORMATION INCLUDING THAT RELATING TO PROMOTIONAL, INTERNAL AND COMMERCIAL USES AND LICENSING MAY BE OBTAINED FROM MPEG LA, L.L.C. SEE [HTTP://WWW.MPEGLA.COM](http://www.mpegla.com)

## Dimensional Drawing

Unit : mm



Screw size for wall mount M4

VESA SPEC	200 x 300
UPPER/LOWER VESA SCREW DEPTH	12
UPPER/LOWER VESA SCREW TYPE	M4

**Note**

---

**SHARP**  
SHARP CORPORATION