

SHARP



TINS-H727WJN1

4T-C65FL1X
4T-C55FL1X
4T-C50FL1X

4T-C75FK1X
4T-C65FK1X
4T-C55FK1X
4T-C50FK1X
4T-C42FK1X



<https://global.sharp/restricted/support/aquos/emanual/asia/pdf/fk/android11/index.html>

- (EN) - Please scan the code above to access PDF E-Manual. The networks of the internet charges will be applied.
- (VN) - Vui lòng quét mã bên trên để truy cập PDF E-Manual. Các dịch vụ mạng internet tính phí sẽ được áp dụng.
- (TH) - โปรดสแกนโค้ดด้านบนเพื่อเปิดใช้ PDF E-Manual เครือข่ายของค่าบริการอินเทอร์เน็ตจะถูกรับไปใช้
- (RU) - Отсканируйте приведенный выше код, чтобы получить доступ к электронному руководству в формате PDF. В сетях интернета взимается плата.
- (UZ) - Iltimos, PDF elektron qo'llanmasiga kirish uchun yuqoridagi kodni skanerlang. Internet tarmog'i uchun to'lovlar qo'llaniladi.
- (CT) - 請掃描上面的代碼以訪問 PDF 電子手冊。將應用互聯網收費的網絡。

AQUOS

LED BACKLIGHT TV

- (EN) - Initial setup guide
- (VN) - Hướng dẫn cài đặt ban đầu
- (TH) - คำแนะนำการตั้งค่าเบื้องต้น
- (RU) - Руководство по начальной установке
- (UZ) - Ilk sozlash qo'llanmasi
- (CT) - 初始設定指南

- (VN) - Vui lòng đọc “Cảnh báo an toàn quan trọng” trước khi cài đặt TV.
- (TH) - โปรดอ่าน “ข้อควรระวังด้านความปลอดภัยที่สำคัญ”
- (RU) - Перед началом настройки телевизора прочтите раздел «Важные меры предосторожности по безопасности».
- (UZ) - Televizorni sozlashdan oldin “Muhim xavfsizlik choralari” bo'limini o'qing.
- (CT) - 在設置電視之前請務必閱讀關於安全的重要注意事項。

HDMI™

Dolby
VISION IQ

Dolby
ATMOS

Bluetooth®

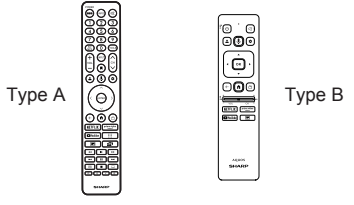
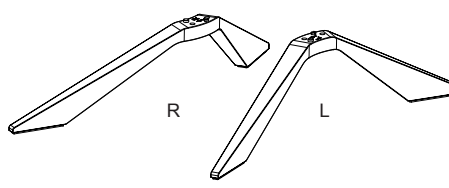
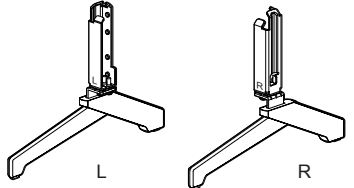
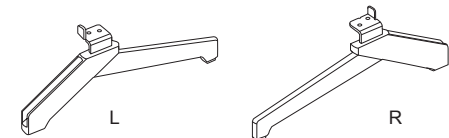
WiFi
CERTIFIED

HE Advance™

TINS-H727WJN1
23P07-MA-NS

(EN) - 1

A. Supplied accessories

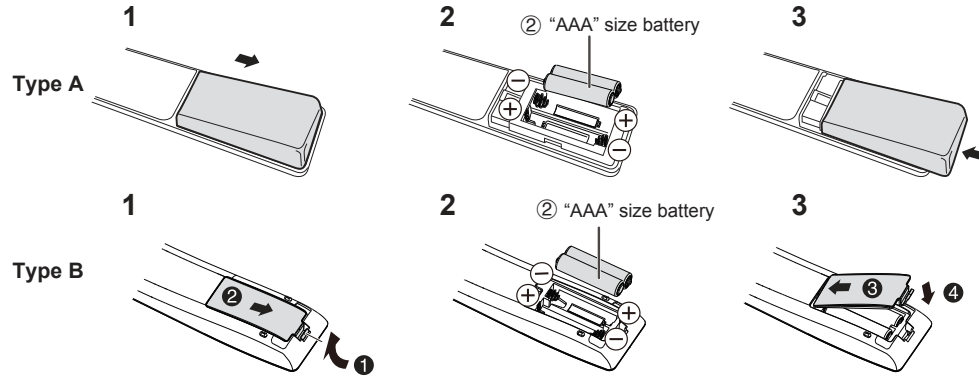
<p>① Remote control unit 65FL / 55FL / 50FL (Type A × 1, Type B × 1) 75FK / 65FK / 55FK / 50FK / 42FK (Type A × 1)</p>  <p>Type A Type B</p>	<p>② “AAA” size battery 65FL / 55FL / 50FL (× 4) 75FK / 65FK / 55FK / 50FK / 42FK (× 2)</p> <p>③ Screws 75FK / 65FL / 65FK (M5 x 15mm) × 4 55FL / 55FK / 50FL / 50FK / 42FK (M4 x 12mm) × 4</p> <p>④ Initial setup guide</p>
<p>⑤ Stand base</p> <div style="display: flex; justify-content: space-around;"> <div style="text-align: center;"> <p>75FK</p>  <p>R L</p> </div> <div style="text-align: center;"> <p>65FL / 65FK</p>  <p>L R</p> </div> </div> <div style="text-align: center; margin-top: 20px;"> <p>55FL / 55FK / 50FL / 50FK / 42FK</p>  <p>L R</p> </div>	

	A	①	②
VN	Phụ kiện kèm theo	Thiết bị điều khiển từ xa Loại A, Loại B	Pin cỡ “AAA”
TH	อุปกรณ์ที่นำมาพร้อมเครื่อง	รีโมทคอนโทรล ประเภท A, ประเภท B	แบตเตอรี่ ขนาด “AAA”
RU	Прилагаемые принадлежности	Пульт дистанционного управления Тип A, Тип B	Батарея размера «AAA»
UZ	Qo'shimcha jihozlar	Televizor pulti A turi, B turi	“AAA” o'lchamli batareya
CT	隨機附件	台座基座 A型, B型	“AAA” 型鹼性電池

	③	④	⑤
VN	Vít	Hướng dẫn cài đặt ban đầu	Đế
TH	สกรู	คำแนะนำการตั้งค่าเบื้องต้น	ขาตั้งโทรทัศน์
RU	Винты	Руководство по начальной установке	Подставка
UZ	Vintlar	Ilk sozlash qo'llanmasi	Taglik
CT	螺絲釘	初始設定指南	台座

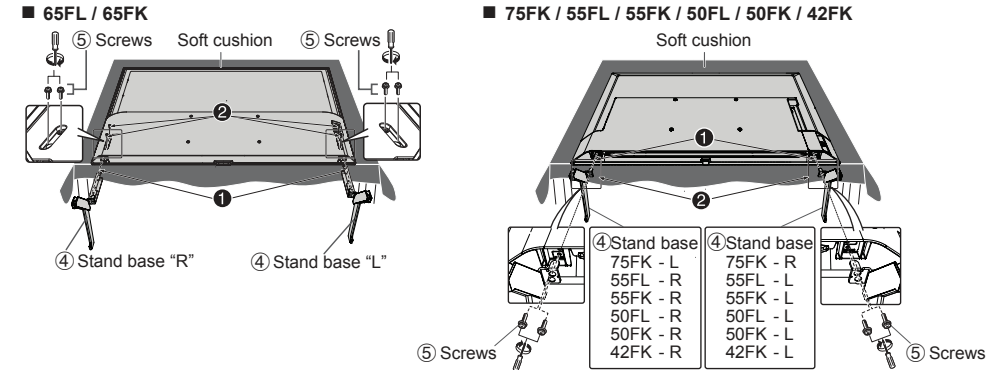
(EN) - 2

B. Inserting the batteries



	B	CAUTION
EN	Inserting the batteries	<p>CAUTION</p> <ul style="list-style-type: none"> Replacement of a battery with an incorrect type that can defeat a safeguard (for example, in the case of some lithium battery types). Disposal of a battery into fire or a hot oven, or mechanically crushing or cutting of a battery, can result in an explosion. Leaving a battery in an extremely high temperature surrounding environment can result in an explosion or the leakage of flammable liquid or gas. A battery subjected to extremely low air pressure may result in an explosion or the leakage of flammable liquid or gas. Risk of fire or explosion if the battery is replaced by an incorrect type.
VN	Lắp pin vào bộ điều khiển từ xa	<p>CẢNH BÁO</p> <ul style="list-style-type: none"> Thay pin không đúng loại có thể làm hỏng biện pháp bảo vệ (ví dụ: trong trường hợp của một số loại pin lithium). Thải bỏ pin vào lửa hoặc lò nóng, hoặc đập hoặc cắt pin bằng máy móc có thể dẫn đến cháy nổ. Đề pin ở môi trường xung quanh có nhiệt độ cực cao có thể dẫn đến cháy nổ hoặc rò rỉ chất lỏng hoặc khí dễ cháy. Pin chịu áp suất không khí cực thấp có thể dẫn đến nổ hoặc rò rỉ chất lỏng hoặc khí dễ cháy. Nguy cơ cháy nổ nếu thay pin không đúng loại.
TH	การใส่แบตเตอรี่	<p>ข้อควรระวัง</p> <ul style="list-style-type: none"> การเปลี่ยนแบตเตอรี่ที่ผิดประเภท อาจมีผลกับระบบป้องกันความเสียหาย (เช่น กรณีของแบตเตอรี่ลิเทียมบางประเภท) การทำลายแบตเตอรี่ด้วยไฟหรือความร้อน หรือการบดหรือตัดแบตเตอรี่ด้วยเครื่องจักร อาจส่งผลให้เกิดการระเบิดได้ การทิ้งแบตเตอรี่ไว้ในสภาพแวดล้อมโดยรอบที่มีอุณหภูมิสูงมากอาจส่งผลให้เกิดการระเบิดหรือการรั่วไหลของของเหลวหรือก๊าซที่ติดไฟได้ แบตเตอรี่ที่มีแรงดันอากาศต่ำมากอาจส่งผลให้เกิดการระเบิดหรือการรั่วไหลของของเหลวหรือก๊าซที่ติดไฟได้ ความเสี่ยงจากไฟไหม้หรือการระเบิดหากเปลี่ยนแบตเตอรี่ผิดประเภท
RU	Установка батарей	<p>ПРЕДУПРЕЖДЕНИЕ</p> <ul style="list-style-type: none"> Замена батареи неподходящим типом, которая может нарушить защиту (например, в случае некоторых типов литиевых батарей). Бросание батареи в огонь или горячую печь, а также механическое дробление или разрезание батареи может привести к взрыву. Если оставить батарею в окружающей среде с чрезвычайно высокой температурой, это может привести к взрыву или утечке горючей жидкости или газа. Батарея, подвергшаяся воздействию чрезвычайно низкого давления воздуха, может привести к взрыву или утечке горючей жидкости или газа. Опасность возгорания или взрыва при замене батареи неподходящим типом.
UZ	Batareyani qo'yish	<p>ЭНТИЙОТ БО'ЛИҚ</p> <ul style="list-style-type: none"> Batareyani noto'g'ri turga almashtirish, bu himoyani yo'qotishi mumkin (masalan, ba'zi lityum batareya turlarida). Batareyani olovga yoki issiq pechga tashlash yoki batareyani mexanik ravishda maydalash yoki kesish portlashga olib kelishi mumkin. Batareyani juda yuqori haroratli muhitda qoldirish portlash yoki yonuvchi suyuqlik yoki gazning oqib chiqishiga olib kelishi mumkin. Havo bosimi juda past bo'lgan batareya portlashi yoki yonuvchi suyuqlik yoki gazning oqib chiqishiga olib kelishi mumkin. Batareya noto'g'ri turga almashtirilsa, yong'in yoki portlash xavfi mavjud.
CT	裝入電池	<p>警告</p> <ul style="list-style-type: none"> 不可置換可能影響安全防護的錯誤型式的電池 (例如, 在某些鋰電池類型的電情況下)。 將電池棄入火中或熱烘箱中, 或者機械擠壓或切割電池, 都可能導致爆炸。 不可將電池置於可能爆炸或可燃性液體或氣體洩漏的高溫環境中。 承受極低氣壓的電池可能會導致爆炸或洩漏易燃液體或氣體。 如果更換的電池型號不正確, 則有火災或爆炸的危險。

C. Attaching the stand



	C	CAUTION	Assembly Steps	Soft Cushion
EN	Attaching the stand	<p>CAUTION</p> <ul style="list-style-type: none"> Assemble on a soft cushion on a stable, flat and wide table. Work with two or more people. Do not grab the corners of the TV when lifting. Do not remove protective pad until TV is assembled. Otherwise, the screen can be damaged from direct pressure. 	<ol style="list-style-type: none"> Insert the stand base into the openings on the bottom of the TV. Insert and tighten the screws into the aligned holes in the TV and stand base holes on the bottom/rear of the TV. 	Soft cushion
VN	Lắp đế	<p>CẢNH BÁO</p> <ul style="list-style-type: none"> Lắp ráp trên đệm mềm trên một mặt bàn ổn định, phẳng và rộng. Làm việc với hai người trở lên. Không nắm lấy các góc của TV khi nâng lên. Không tháo miếng bảo vệ cho đến khi TV được lắp ráp. Nếu không, màn hình có thể bị hỏng do áp lực trực tiếp. 	<ol style="list-style-type: none"> Chèn chân đế vào các lỗ ở phía dưới TV. Chèn và siết chặt các vít vào các lỗ thẳng hàng trên TV và các lỗ chân đế ở đáy/phía sau TV. 	Đệm mềm
TH	การติดตั้ง	<p>ข้อควรระวัง</p> <ul style="list-style-type: none"> ประกอบเข้ากับเบาะนุ่มบนโต๊ะที่มั่นคง แบนและกว้าง ทำงานกับคนสองคนขึ้นไป อย่าจับมุมของทีวีเมื่อยกขึ้น ห้ามถอดแผ่นป้องกันออกจนกว่าจะประกอบทีวี ฉะนั้นหน้าจออาจเสียหายจากแรงกดโดยตรง. 	<ol style="list-style-type: none"> ใส่ฐานขาตั้งในช่องเปิด ที่ด้านล่างของทีวี ใส่และขันสกรูให้แน่นในรูที่จัดตำแหน่งในทีวี และฐานขาตั้งที่ด้านล่าง/ด้านหลังของทีวี 	พำรอง
RU	Прикрепление подставки	<p>ПРЕДУПРЕЖДЕНИЕ</p> <ul style="list-style-type: none"> Соберитесь на мягкой подушке на устойчивом, плоском и широком столе. Работайте с двумя и более людьми. При подъеме не беритесь за углы телевизора. Не снимайте защитную прокладку, пока телевизор не будет собран. В противном случае экран может быть поврежден от прямого давления. 	<ol style="list-style-type: none"> Вставьте основание подставки в отверстия в нижней части телевизора. Вставьте и затяните винты в совмещенные отверстия телевизора и отверстия подставки в нижней/задней части телевизора. 	Мягкий амортизирующий материал
UZ	Taglikni mustahkamlash	<p>ЭНТИЙОТ БО'ЛИҚ</p> <ul style="list-style-type: none"> Stabil, tekis va keng stol ustidagi yumshoq yostiqa yig'ing. Ikki yoki undan ortiq odam bilan ishlash. Ko'tarayotganda televizorning burchaklaridan tutmang. Televizor yig'ilmaguncha himoya yostig'ini olib tashlamang. Aks holda, ekran to'g'ridan-to'g'ri bosimdan shikastlanishi mumkin. 	<ol style="list-style-type: none"> Stend poydevorini elevizorning pastki qismidagi teshiklarga joylashtiring. Vintlarni elevizorning pastki/orqa qismidagi tekislangan teshiklarga va stend tagidagi teshiklarga soling va torting. 	Yumshoq qoplama
CT	連接台座單位	<p>警告</p> <ul style="list-style-type: none"> 組裝時請在一張穩定、平坦、寬大且有軟墊的桌子上進行。 與兩個或更多人一起工作。 抬起時請勿抓住電視機的角。 在組裝電視機之前請勿取下保護墊。否則, 屏幕可能會因直接壓力而損壞。 	<ol style="list-style-type: none"> 將支架底座插入電視底部的開口中。 將螺釘插入並擰緊電視底部/背面對齊的電視孔和支架底座孔。 	軟墊

Dear SHARP customer

Thank you for your purchase of the SHARP LCD colour TV product. To ensure safety and many years of trouble-free operation of your product, please read the Important Safety Precautions carefully before using this product.

Important Safety Precautions

[ENGLISH EN]

- Stand base must be attached to prevent the TV set from falling down and cause injuries.
- Cleaning — Unplug the AC cord from the AC outlet before cleaning the product. Use a soft damp cloth to clean the product. Do not use liquid cleaners, aerosol cleaners or chemical cloth to clean it, as such materials may damage the product.
- Water and moisture — Do not use the product near water, such as bathtub, washbasin, kitchen sink, laundry tub, swimming pool and in a wet basement.
- Do not place vases or any other water-filled containers on this product. The water may spill onto the product causing fire or electric shock.
- Stand — Do not place the product on an unstable cart, stand, tripod or table. Doing so can cause the product to fall, resulting in serious personal injuries as well as damage to the product. Use only a cart, stand, tripod, bracket or table recommended by the manufacturer or sold with the product. When mounting the product on a wall, be sure to follow the manufacturer's instructions. Use only the mounting hardware recommended by the manufacturer.
- When relocating the product placed on a cart, it must be moved with utmost care. Sudden stops, excessive force and uneven floor surface can cause the product to fall from the cart.
- Ventilation — The vents and other openings in the cabinet are designed for ventilation. Do not cover or block these vents and openings since insufficient ventilation can cause overheating and/or shorten the life of the product. Do not place the product on a bed, sofa, rug or other similar surface, since they can block ventilation openings. This product is not designed for built-in installation; do not place the product in an enclosed place such as a bookcase or rack, unless proper ventilation is provided or the manufacturer's instructions are followed.
- The LCD panel used in this product is made of glass. Therefore, it can break when the product is struck forcefully or with a sharp object. If the LCD panel is broken, be careful not to be injured by broken glass.
- Heat sources — Keep the product away from heat sources such as radiators, heaters, stoves and other heat-generating products (including amplifiers).
- To prevent fire, never place any type of candle or naked flames on the top or near the TV set.
- To prevent fire or shock hazard, do not place the AC power cord under the TV set or other heavy items.
- Do not place heavy objects on this product or stand on it. Doing so could cause injury if the product overturns. Take special care near children and pets.
- The LCD panel is made with extremely high precision technology, and has 99.99% or more effective pixels. The 0.01% or less missing pixels or those that are always lit is not a malfunction.

Precautions when transporting the TV

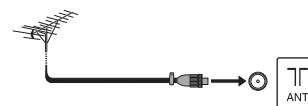
When transporting the TV, never carry it by holding or otherwise putting pressure onto the display. Be sure to always carry the TV by two people holding it with two hands — one hand on each side of the TV.

- Do not display a still picture for a long time, as this could cause an afterimage to remain.
- Install the product on the place where the AC cord can be unplugged easily from the AC outlet or from the AC INPUT terminal on the rear of the product.
- Stability Hazard
A television set may fall, causing serious personal injury or death. Many injuries, particularly to children, can be avoided by taking simple precautions such as:
 - ALWAYS use cabinets or stands or mounting methods recommended by the manufacturer of the television set.
 - ALWAYS use furniture that can safely support the television set.
 - ALWAYS ensure the television set is not overhanging the edge of the supporting furniture.
 - ALWAYS educate children about the dangers of climbing on furniture to reach the television set or its controls.
 - ALWAYS route cords and cables connected to your television so they cannot be tripped over, pulled or grabbed.
 - NEVER place a television set in an unstable location.
 - NEVER place the television set on tall furniture (for example, cupboards or bookcases) without anchoring both the furniture and the television set to a suitable support.
 - NEVER place the television set on cloth or other materials that may be located between the television set and supporting furniture.
 - NEVER place items that might tempt children to climb, such as toys and remote controls, on the top of the television or furniture on which the television is placed.
- If the existing television set is going to be retained and relocated, the same considerations as above should be applied.
- Do not install the TV in a location in which it will be subject to water drops such as underneath an air conditioning unit or in the vicinity of a humidifier.
 - Water drops falling onto the TV and water entering inside it may result in fire, electric shock, or malfunctions.
 - We recommend that you install the TV at least 1m away from the outlet of an air conditioner.

Initial installation

Follow the steps below one by one when using the TV for the first time. Some steps may not be necessary depending on your TV installation and connection.

- 1 Connect an antenna cable to the antenna terminal.



- 2 Plug the AC cord into the AC outlet.

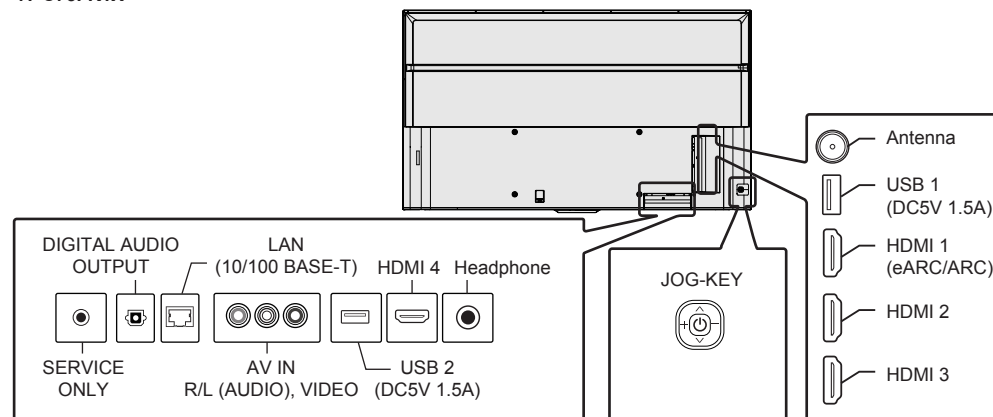
- Place the TV close to the AC outlet, and keep the power plug within reach.
- Product shape varies in some countries.

- 3 Press (JOG-KEY) / **POWER** on the TV.

- 4 Run the initial installation.
 - Follow the guide on the TV screen to set the settings.

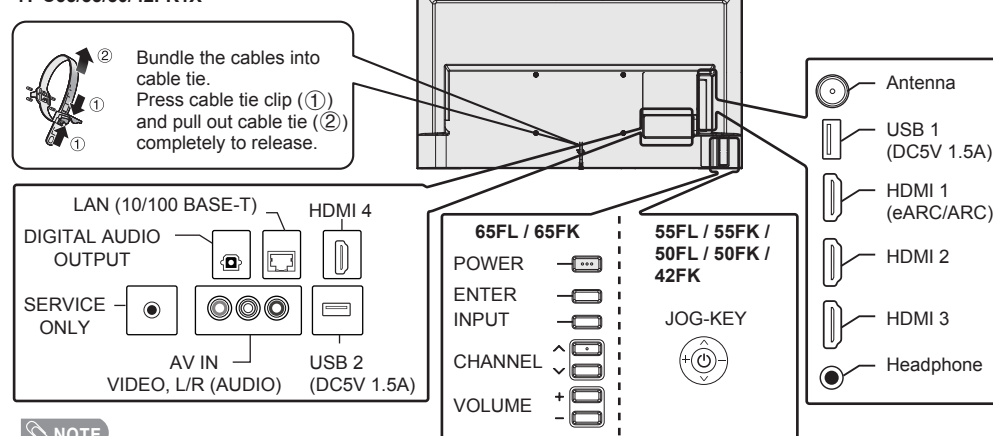
Terminal Diagram (TV Rear)

4T-C75FK1X



4T-C65/55/50FL1X

4T-C65/55/50/42FK1X



NOTE

- This drawings used throughout this manual are based on the 4T-C50FL1X / 4T-C50FK1X.

Viewing E-Manual

Viewing the Built-in Operation Manual

Displays the built-in operation manual on the screen. You can read information about how to use this device.

The internet connection will be required.

- 1 Press **HOME** to display the HOME screen, press **Manual** to select "Manual", and then press **ENTER/OK**. This displays the built-in operation manual screen.
- 2 When you select contents, its page will be displayed.



Appendix

Troubleshooting

The problems described below are not always caused by malfunctions. Check the TV again before having the TV serviced.

Problem	Possible Solution
• No power.	<ul style="list-style-type: none"> • Check if you pressed POWER on the remote control unit. • Is the AC cord disconnected? • Has the power been turned on?
• Remote control unit does not operate.	<ul style="list-style-type: none"> • Are batteries inserted with polarity (+, -) aligned?
• No picture.	<ul style="list-style-type: none"> • Is connection to other components correct?
• No sound.	<ul style="list-style-type: none"> • Is connection to other components correct?

DISCLAIMERS

- This SHARP device facilitates the access to content and services provided by third parties. The content and services accessible via this device belong to and may be proprietary to third parties. Therefore, any use of such third party content and services must be in accordance with any authorization or terms of use provided by such content or service provider. SHARP shall not be liable to you or any third party for your failure to abide by such authorization or terms of use. Unless otherwise specifically authorized by the applicable content or service provider, all third party content and services provided are for personal and non-commercial use; you may not modify, copy, distribute, transmit, display, perform, reproduce, upload, publish, license, create derivative works from, transfer or sell in any manner or medium any content or services available via this device.
- SHARP is not responsible, nor liable, for customer service-related issues related to the third party content or services. Any questions, comments or service-related inquiries relating to the third party content or service should be made directly to the applicable content or service provider. You may not be able to access content or services from the device for a variety of reasons which may be unrelated to the device itself, including, but not limited to, power failure, other Internet connection, or failure to configure your device properly. SHARP, its directors, officers, employees, agents, contractors and affiliates shall not be liable to you or any third party with respect to such failures or maintenance outages, regardless of cause or whether or not it could have been avoided.
- ALL THIRD PARTY CONTENT OR SERVICES ACCESSIBLE VIA THIS DEVICE IS PROVIDED TO YOU ON AN "AS-IS" AND "AS AVAILABLE" BASIS AND SHARP AND ITS AFFILIATES MAKE NO WARRANTY OR REPRESENTATION OF ANY KIND TO YOU, EITHER EXPRESS OR IMPLIED, INCLUDING, WITHOUT LIMITATION, ANY WARRANTIES OF MERCHANTABILITY, NON-INFRINGEMENT, FITNESS FOR A PARTICULAR PURPOSE OR ANY WARRANTIES OF SUITABILITY, AVAILABILITY, ACCURACY, COMPLETENESS, SECURITY, TITLE, USEFULNESS, LACK OF NEGLIGENCE OR ERROR-FREE OR UNINTERRUPTED OPERATION OR USE OF THE CONTENT OR SERVICES PROVIDED TO YOU OR THAT THE CONTENT OR SERVICES WILL MEET YOUR REQUIREMENTS OR EXPECTATIONS.
- SHARP IS NOT AN AGENT OF AND ASSUMES NO RESPONSIBILITY FOR THE ACTS OR OMISSIONS OF THIRD PARTY CONTENT OR SERVICE PROVIDERS, NOR ANY ASPECT OF THE CONTENT OR SERVICE RELATED TO SUCH THIRD PARTY PROVIDERS.
- IN NO EVENT WILL SHARP AND/OR ITS AFFILIATES BE LIABLE TO YOU OR ANY THIRD PARTY FOR ANY DIRECT, INDIRECT, SPECIAL, INCIDENTAL, PUNITIVE, CONSEQUENTIAL OR OTHER DAMAGES, WHETHER THE THEORY OF LIABILITY IS BASED ON CONTRACT, TORT, NEGLIGENCE, BREACH OF WARRANTY, STRICT LIABILITY OR OTHERWISE AND WHETHER OR NOT SHARP AND/OR ITS AFFILIATES HAVE BEEN ADVISED OF THE POSSIBILITY OF SUCH DAMAGES.

Specifications

Item	Model	75FK	65FL 65FK	55FL 55FK	50FL 50FK	42FK	
LCD panel		189 cm	164 cm	139 cm	126 cm	105 cm	
Resolution		8,294,400 pixels (3840 × 2160)					
Video colour system		PAL/SECAM/NTSC 3.58/NTSC 4.43/PAL 60					
TV function	TV-standard	Analogue	PAL: B/G, D/K, I SECAM: B/G, D/K, K/K1 NTSC: M				
		Digital	DVB-T/DVB-T2, DTMB (For Hong Kong)				
	Receiving channel	VHF/UHF	44.25 – 863.25 MHz				
		TV-tuning system	Auto Preset				
	STEREO/BILINGUAL	NICAM: B/G, I, D/K A2 stereo: B/G MTS: M					
Audio amplifier		10 W × 2					
Terminals	Antenna	75 Ω DIN type					
	HDMI 1	HDMI 4K, ALLM/VRR, eARC/ARC					
	HDMI 2, 3, 4	HDMI 4K, ALLM/VRR					
	AV IN	AUDIO in, VIDEO in					
	USB 1, 2	USB (DC5V 1.5A output)					
	LAN (10/100 BASE-T)	Network connector					
	DIGITAL AUDIO OUTPUT	Optical S/PDIF digital audio output					
	Headphone	φ 3.5 mm stereo					
	SERVICE ONLY	φ 3.5 mm jack					
Wi-Fi Protocole (Wi-Fi Security)		IEEE 802.11 a/b/g/n/ac 2T/2R Dual Band (WFA/WPA/WPA2)					
Bluetooth		V2.1/3.0/4.2/5.0					
OSD language		English/Simplified Chinese/Traditional Chinese (TW)/ Traditional Chinese (HK)/Arabic/French/Portuguese/Russian/Thai/ Vietnamese/Indonesia/Malay					
Power requirement		AC 110 – 240 V, 50/60 Hz					
Power consumption (W) (Standby)(W)		235 (0.5)	65FL: 222 (0.5) 65FK: 207 (0.5)	55FL: 176 (0.5) 55FK: 148 (0.5)	50FL: 144 (0.6) 50FK: 122 (0.6)	118 (0.6)	
	Dimensions						
	without stand	W x H x D (mm)	1678 × 975 × 74	1462 × 854 × 76	1232 × 722 × 80	1118 × 655 × 80	948 × 544 × 80
	with stand	W x H x D (mm)	1678 × 1056 × 403	1462 × 920 × 289	1232 × 785 × 273	1118 × 720 × 273	948 × 607 × 273
Weight without stand (kg) (with stand)(kg)		27.5 (28.5)	22.0 (23.0)	13.0 (13.5)	11.0 (11.5)	7.9 (8.3)	
Operating temperature		0°C to +40°C					

- As a part of policy of continuous improvement, SHARP reserves the right to make design and specification changes for product improvement without prior notice. The performance specification figures indicated are nominal values of production units. There may be some deviations from these values in individual units.
- Specification may differ depending on the selected country.

CAUTION

- Installing the Liquid Crystal Television requires special skill that should only be performed by qualified service personnel. Customers should not attempt to do the work themselves. SHARP bears no responsibility for improper mounting or mounting that results in accident or injury.
- Carefully read the instructions that come with the bracket before beginning work.
- Do not install / mount the TV with tilting condition.

Kính gửi khách hàng của SHARP

Cảm ơn các bạn đã mua sản phẩm TV màu LCD của SHARP. Để đảm bảo cho sản phẩm của bạn hoạt động an toàn và không bị hỏng hóc trong nhiều năm, vui lòng đọc kỹ Lưu ý An toàn Quan trọng trước khi sử dụng sản phẩm này.

Lưu ý an toàn quan trọng

[TIẾNG VIỆT (VN)]

- Phải lắp để để TV không đổ và gây thương tích.
- Làm sạch — Rút dây AC ra khỏi ổ cắm AC trước khi làm sạch sản phẩm. Sử dụng vải ẩm để làm sạch sản phẩm. Không sử dụng dung dịch lau, dung dịch lau chùi loại phun hoặc vải hóa học để lau chùi thiết bị vì các vật liệu này có thể làm hỏng sản phẩm.
- Nước và hơi ẩm — Không sử dụng sản phẩm gần nước, như chậu tắm, bồn tắm, chậu rửa nhà bếp, chậu giặt, bể bơi và trên nền ẩm.
- Không đặt lọ hoa hoặc bất kỳ bình chứa nước nào trên sản phẩm này. Nước có thể tràn ra sản phẩm gây hoả hoạn hoặc điện giật.
- Đế — Không đặt sản phẩm lên xe, đế, giá ba chân hoặc bàn không vững chắc. Làm như vậy có thể khiến sản phẩm bị rơi, gây ra thương tích cá nhân cũng như hư hại sản phẩm. Chỉ sử dụng xe, đế, giá ba chân, giá đỡ hoặc bàn được nhà sản xuất khuyến dùng hoặc được bán cùng sản phẩm. Khi lắp sản phẩm trên tường, hãy chắc chắn thực hiện theo hướng dẫn của nhà sản xuất. Chỉ sử dụng phần cứng lắp đặt được nhà sản xuất khuyến dùng.
- Khi di chuyển sản phẩm được đặt trên xe, phải di chuyển sản phẩm hết sức cẩn thận. Dùng đột ngọt, lực quá mạnh và bề mặt sàn không bằng phẳng có thể khiến cho sản phẩm rơi ra khỏi xe.
- Thông gió — Lỗ thông gió và các lỗ khác trong thùng máy được thiết kế để thông gió. Không che phủ hoặc chặn những lỗ thông gió và những lỗ này vì thông gió không đủ có thể gây ra quá nhiệt và/hoặc làm giảm tuổi thọ của sản phẩm. Không đặt sản phẩm trên giường, đi văng, thảm hoặc bề mặt tương tự, vì chúng có thể cản trở các lỗ thông gió. Sản phẩm này không được thiết kế để lắp đặt bên trong; không đặt sản phẩm ở nơi kín như tủ sách hoặc giá, trừ khi có thể thông gió đầy đủ hoặc thực hiện theo hướng dẫn của nhà sản xuất.
- Màn hình LCD sử dụng trong sản phẩm này được làm bằng thủy tinh. Vì vậy, nó có thể vỡ khi sản phẩm bị đập mạnh hoặc bằng vật nhọn. Nếu màn hình LCD bị vỡ, cẩn thận không để bị thương do thủy tinh vỡ.
- Nguồn nhiệt — Giữ sản phẩm cách xa nguồn nhiệt như bộ tản nhiệt, máy sưởi, bếp lò và các sản phẩm sinh nhiệt khác (bao gồm máy tăng âm).
- Để tránh hoả hoạn, không đặt bất cứ loại nến hoặc ngọn lửa không được che chắn nào bên trên hoặc gần TV.
- Để tránh hoả hoạn hoặc nguy cơ điện giật, không đặt dây điện AC bên dưới TV hoặc các vật nặng khác.
- Không đặt vật nặng trên sản phẩm này hoặc đứng trên sản phẩm. Làm như vậy có thể gây thương tích nếu sản phẩm bị lật úp. Cần hết sức chú ý khi trẻ em và vật nuôi ở gần sản phẩm.
- Màn hình LCD được sản xuất bằng công nghệ có độ chính xác cực cao và có 99,99% điểm ảnh hiệu quả trở lên. Khoảng 0,01% hoặc ít hơn số điểm ảnh không hoạt động hoặc luôn sáng thì không phải là sự cố.

Lưu ý khi vận chuyển TV

Không thực hiện vận chuyển TV bằng cách nắm giữ hoặc gây áp lực lên màn hình. Luôn bế TV bằng hai người, giữ TV bằng cả hai tay — mỗi tay ở một bên của TV.

- Không hiển thị hình ảnh tĩnh trong một thời gian dài, vì điều này có thể khiến cho còn dư ảnh trên màn hình.
- Lắp đặt máy tại nơi mà dây nguồn AC có thể dễ dàng rút khỏi ổ cắm, hoặc rút ra khỏi đầu cắm dây AC phía sau máy.
- Nguy cơ ổn định

Tivi có thể bị rơi, gây thương tích cá nhân nghiêm trọng hoặc tử vong. Nhiều thương tích, đặc biệt là đối với trẻ em, có thể tránh được bằng cách thực hiện các biện pháp phòng ngừa đơn giản như:

- LUÔN LUÔN sử dụng tủ hoặc giá đỡ hoặc phương pháp treo tường do nhà sản xuất tivi khuyến nghị.
- LUÔN LUÔN sử dụng đồ nội thất có thể đỡ tivi một cách an toàn.
- LUÔN LUÔN đảm bảo tivi không nhô ra khỏi mép của đồ nội thất hỗ trợ.
- LUÔN LUÔN giáo dục trẻ em về sự nguy hiểm của việc treo lên đồ nội thất để với lấy tivi hoặc các nút điều khiển của tivi.
- LUÔN LUÔN định tuyến dây và cáp kết nối với tivi của bạn để chúng không bị vấp, kéo hoặc nắm.
- KHÔNG BAO GIỜ đặt tivi ở vị trí không chắc chắn.
- KHÔNG BAO GIỜ đặt tivi trên đồ nội thất cao (ví dụ: tủ hoặc tủ sách) mà không cố định cả đồ nội thất và tivi vào một giá đỡ phù hợp.
- KHÔNG BAO GIỜ đặt tivi trên vải hoặc vật liệu khác có thể nằm giữa tivi và đồ nội thất hỗ trợ.
- KHÔNG BAO GIỜ đặt những đồ vật có thể khiến trẻ leo trèo, chẳng hạn như đồ chơi và điều khiển từ xa, trên nóc tivi hoặc đồ nội thất đặt tivi.

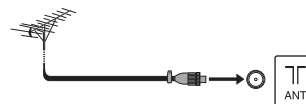
Nếu tivi hiện có sẽ được giữ lại và di dời, thì nên áp dụng các cân nhắc tương tự như trên.

- Không lắp đặt TV ở vị trí bị nước rò rỉ giọt như bên dưới máy điều hòa không khí hoặc gần máy hút ẩm.
- Nước rò rỉ giọt vào TV và nước vào bên trong TV có thể dẫn đến hoả hoạn, sốc điện hoặc hư hỏng.
- Chúng tôi khuyến nghị lắp đặt TV cách cửa ra của máy điều hòa không khí ít nhất 1m.

Cài đặt ban đầu

Thực hiện lần lượt các bước dưới đây khi sử dụng TV lần đầu. Một số bước có thể là không cần thiết tùy thuộc vào việc cài đặt và kết nối TV của bạn.

- 1 Kết nối cáp ăng-ten với đầu cuối ăng-ten.



- 3 Nhấn nút / (PHÍM LẮC NHE) / POWER trên TV.

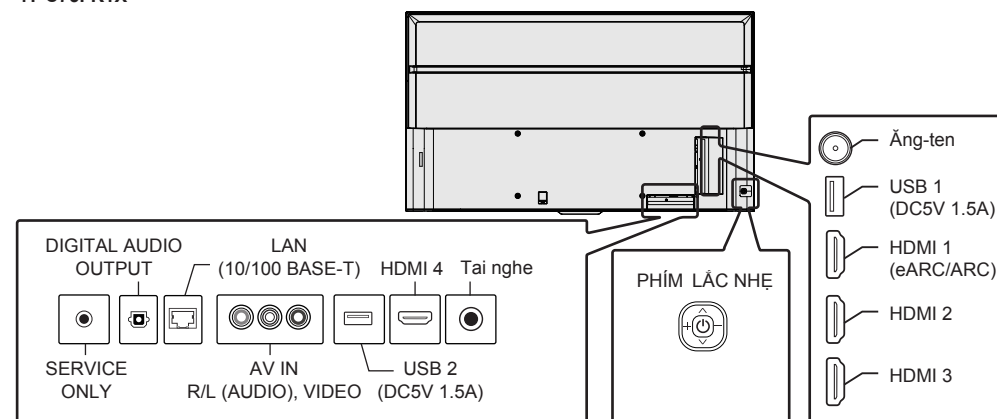
- 4 Chạy cài đặt ban đầu.
 - Làm theo hướng dẫn trên màn hình TV để thiết lập cài đặt.

- 2 Cắm dây điện AC vào ổ cắm AC.

- Đặt TV gần với ổ điện và giữ cho dây nguồn AC trong tầm tay.
- Hình dáng sản phẩm khác nhau ở một số nước.

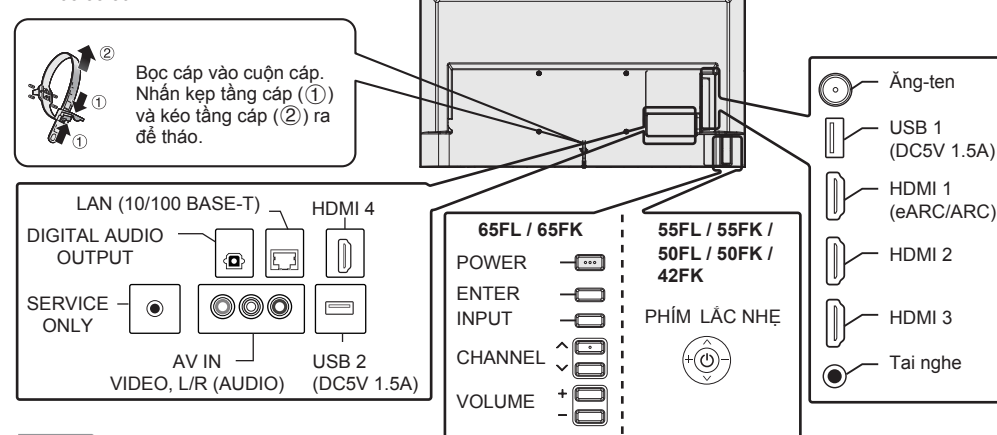
Sơ đồ đầu cuối (TV phía sau)

4T-C75FK1X



4T-C65/55/50FL1X

4T-C65/55/50/42FK1X



CHÚ Ý

- Hình vẽ được sử dụng trong toàn bộ tài liệu hướng dẫn này dựa trên kiểu máy 4T-C50FL1X / 4T-C50FK1X.

Xem tài liệu hướng dẫn điện tử

Xem Tài liệu hướng dẫn vận hành tích hợp

Hiện thị hướng dẫn vận hành tích hợp trên màn hình. Bạn có thể đọc thông tin về cách sử dụng thiết bị này. Kết nối internet sẽ được yêu cầu.

- Bấm **NHÀ** để hiển thị màn hình NHÀ, bấm **</>** để chọn "Hướng dẫn sử dụng", sau đó bấm **ENTER/OK**.
Thao tác này sẽ hiển thị màn hình tài liệu hướng dẫn vận hành tích hợp.
- Khi chọn nội dung, trang sẽ được hiển thị.



Phụ lục

Khắc phục sự cố

Các sự cố được mô tả dưới đây không phải luôn luôn do trục trặc gây ra. Hãy kiểm tra lại TV trước khi sửa.

Sự cố	Giải pháp có thể
• Không có nguồn.	<ul style="list-style-type: none"> Kiểm tra xem bạn đã bấm nút POWER (NGUỒN) trên bộ điều khiển từ xa chưa. Dây AC (dây nguồn) có bị rút ra không? Nguồn có được bật không?
• Bộ điều khiển từ xa không hoạt động.	<ul style="list-style-type: none"> Pin được lắp đúng với các cực (+, -) chưa?
• Không có hình.	<ul style="list-style-type: none"> Kết nối với các thành phần khác đã chính xác chưa?
• Không âm thanh.	<ul style="list-style-type: none"> Kết nối với các thành phần khác đã chính xác chưa?

TUYÊN BỐ MIỄN TRỪ

- Thiết bị SHARP này tạo điều kiện thuận lợi cho việc truy cập nội dung và dịch vụ do các bên thứ ba cung cấp. Nội dung và dịch vụ có thể truy cập thông qua thiết bị này thuộc về và có thể là tài sản sở hữu của các bên thứ ba. Vì vậy, mọi hình thức sử dụng nội dung và dịch vụ của bên thứ ba như vậy phải tuân theo bất kỳ hình thức ủy quyền hoặc điều khoản sử dụng nào do nhà cung cấp nội dung hoặc dịch vụ như vậy cung cấp. SHARP không chịu trách nhiệm pháp lý đối với bạn hoặc bất kỳ bên thứ ba nào do việc bạn không tuân theo các hình thức ủy quyền hoặc điều khoản sử dụng như vậy. Trừ khi được cho phép một cách cụ thể bởi nhà cung cấp nội dung và dịch vụ có thể áp dụng, toàn bộ nội dung và dịch vụ của bên thứ ba được cung cấp dành cho mục đích sử dụng cá nhân và phi thương mại; bạn không thể sửa đổi, sao chép, phân phối, truyền, hiển thị, thực hiện, tái tạo, tải lên, phát hành, cấp phép, tạo sản phẩm dẫn xuất từ đó, chuyển nhượng hoặc bán theo bất kỳ hình thức hoặc phương tiện nào bất kỳ nội dung hoặc dịch vụ nào có thể truy cập qua Internet.
- SHARP không chịu trách nhiệm, cũng như trách nhiệm pháp lý, cho các vấn đề liên quan đến dịch vụ khách hàng có liên quan đến nội dung hoặc dịch vụ bên thứ ba. Mọi câu hỏi, nhận xét hoặc tra cứu liên quan đến dịch vụ liên quan đến nội dung hoặc dịch vụ của bên thứ ba cần phải được thực hiện trực tiếp với nhà cung cấp nội dung hoặc dịch vụ có thể áp dụng. Bạn có thể không truy cập được nội dung hoặc dịch vụ từ thiết bị vì nhiều lý do khác nhau mà có thể không liên quan đến bản thân thiết bị, bao gồm, nhưng không giới hạn trong, lỗi nguồn điện, kết nối Internet khác, hoặc không cấu hình thiết bị của bạn chính xác. SHARP, các giám đốc, viên chức, nhân viên, đại lý, nhà thầu và các công ty liên minh của SHARP sẽ không chịu trách nhiệm pháp lý trước bạn hoặc bất kỳ bên thứ ba nào liên quan đến những sai sót như vậy hoặc bảo trì không đầy đủ, không phụ thuộc vào nguyên nhân hoặc liệu điều này có thể tránh được hay không.
- TÒAN BỘ NỘI DUNG HOẶC DỊCH VỤ CỦA BÊN THỨ BA CÓ THỂ TRUY CẬP THÔNG QUA THIẾT BỊ NÀY ĐƯỢC CUNG CẤP CHO BẠN TRÊN CƠ SỞ "NGUYÊN TRANG" VÀ "THEO ĐIỀU KIỆN SẴN CÓ" VÀ SHARP VÀ CÁC CÔNG TY LIÊN MINH KHÔNG CÓ BẤT KỲ HÌNH THỨC ĐẢM BẢO HOẶC ĐẠI DIỆN NÀO CHO BẠN, MỘT CÁCH RÕ RÀNG HOẶC NGẦM HIỂU, BAO GỒM, NHƯNG KHÔNG GIỚI HẠN TRONG, BẤT KỲ BẢO ĐẢM NÀO VỀ KHẢ NĂNG CỐ THỂ BÁN HÀNG, KHÔNG BỊ VI PHẠM, PHÙ HỢP CHO MỘT MỤC ĐÍCH CỤ THỂ HOẶC BẤT KỲ BẢO ĐẢM NÀO VỀ TÍNH PHÙ HỢP, TÍNH KHẢ DỤNG, TÍNH CHÍNH XÁC, TÍNH HOÀN CHỈNH, TÍNH BẢO MẬT, QUYỀN, TÍNH HỮU DỤNG, KHÔNG CÓ SỰ KINH SUẤT HOẶC KHÔNG CÓ LỖI, HOẶC HOẠT ĐỘNG VẬN HÀNH HOẶC SỬ DỤNG NỘI DUNG HOẶC DỊCH VỤ ĐƯỢC CUNG CẤP CHO BẠN KHÔNG BỊ GIẢM ĐOẠN, HOẶC NỘI DUNG HOẶC DỊCH VỤ SẼ ĐÁP ỨNG CÁC YÊU CẦU HOẶC KÝ VỌNG CỦA BẠN.**
- SHARP KHÔNG PHẢI LÀ MỘT ĐẠI LÝ VÀ KHÔNG CHỊU BẤT KỲ TRÁCH NHIỆM NÀO CHO CÁC HÀNH ĐỘNG HOẶC SỰ BỚT XÉN CỦA CÁC NHÀ CUNG CẤP NỘI DUNG HOẶC DỊCH VỤ BÊN THỨ BA, HAY BẤT KỲ KHÍA CẠNH NÀO CỦA NỘI DUNG HOẶC DỊCH VỤ LIÊN QUAN ĐẾN CÁC NHÀ CUNG CẤP BÊN THỨ BA NHƯ VẬY.
- TRONG MỌI TRƯỜNG HỢP SHARP VÀ/HOẶC CÁC CÔNG TY LIÊN MINH SẼ KHÔNG CHỊU TRÁCH NHIỆM PHÁP LÝ TRƯỚC BẠN HOẶC BẤT KỲ BÊN THỨ BA NÀO VÌ BẤT KỲ THIẾT HẠI NÀO MANG TÍNH TRỰC TIẾP, GIÁN TIẾP, ĐẶC BIỆT, VÔ TÌNH, TRUNG TRÌ, HẬU QUẢ HOẶC CÁC TÍNH CHẤT KHÁC, CHO DÙ LÝ LUẬN VỀ TRÁCH NHIỆM PHÁP LÝ CÓ DỰA TRÊN HỢP ĐỒNG, SAI LẦM, KINH SUẤT, VI PHẠM BẢO HÀNH, TRÁCH NHIỆM PHÁP LÝ CHẶT CHẼ HOẶC LIEU SHARP VÀ/HOẶC CÁC CÔNG TY LIÊN MINH ĐÃ ĐƯỢC TỰ VẤN VỀ KHẢ NĂNG XÂY RA NHỮNG THIẾT HẠI NHƯ VẬY HAY CHƯA.

Thông số kỹ thuật

Mục	Kiểu máy	75FK	65FL 65FK	55FL 55FK	50FL 50FK	42FK	
Màn hình LCD		189 cm	164 cm	139 cm	126 cm	105 cm	
Độ phân giải		8.294.400 điểm ảnh (3840 × 2160)					
Hệ màu video		PAL/SECAM/NTSC 3.58/NTSC 4.43/PAL 60					
Chức năng TV	Chuẩn TV	PAL: B/G, D/K, I SECAM: B/G, D/K, K/K1 NTSC: M					
	Analog	PAL: B/G, D/K, I SECAM: B/G, D/K, K/K1 NTSC: M					
	Kỹ Thuật Số	DVB-T/DVB-T2, DTMB (Đối với Hồng Kông)					
	Kênh thu	VHF/UHF	44,25 – 863,25 MHz				
	Hệ thống dò đài		Tự động Đặt lại				
	STEREO/SONG NGŨ	NICAM: B/G, I, D/K A2 stereo: B/G MTS: M					
Bộ khuếch đại âm thanh		10 W × 2					
Các ngõ vào ra	Ăng ten	75 Ω loại DIN					
	HDMI 1	HDMI 4K, ALLM/VR, eARC/ARC					
	HDMI 2, 3, 4	HDMI 4K, ALLM/VR					
	AV IN	AUDIO vào, VIDEO vào					
	USB 1, 2	USB (Cổng ra DC5V 1,5A)					
	LAN (10/100 BASE-T)	Đầu nối mạng					
	DIGITAL AUDIO OUTPUT	Ngõ ra âm thanh số S/PDIF quang					
	Tai nghe	Stereo đường kính 3,5 mm					
	SERVICE ONLY	Giắc cắm ø 3,5 mm					
	Giao thức Wi-Fi (Bảo mật Wi-Fi)	IEEE 802.11 a/b/g/n/ac 2T/Băng tần kép 2R (WFA/WPA/WPA2)					
Bluetooth	V2.1/3.0/4.2/5.0						
Ngôn ngữ OSD	Tiếng Anh/Tiếng Trung Giản thể/Tiếng Trung phồn thể(TW)/Tiếng Trung phồn thể(Hồng Kông)/Tiếng Ả Rập/Tiếng Pháp/Tiếng Bồ Đào Nha/Tiếng Nga/Tiếng Thái/Tiếng Việt/Tiếng In-đô-nê-xi-a/Tiếng Malaixia						
Yêu cầu nguồn điện	AC 110 – 240 V, 50/60 Hz						
Tiêu thụ điện (W) (ở chế độ chờ) (W)		235 (0,5)	65FL: 222 (0,5) 65FK: 207 (0,5)	55FL: 176 (0,5) 55FK: 148 (0,5)	50FL: 144 (0,6) 50FK: 122 (0,6)	118 (0,6)	
	Kích thước	không có chân đế	W x H x D (mm)	1678 × 975 × 74	1462 × 854 × 76	1232 × 722 × 80	1118 × 655 × 80
	Có chân đế	W x H x D (mm)	1678 × 1056 × 403	1462 × 920 × 289	1232 × 785 × 273	1118 × 720 × 273	948 × 607 × 273
Trọng lượng không có chân đế (kg) (có chân đế) (kg)		27,5 (28,5)	22,0 (23,0)	13,0 (13,5)	11,0 (11,5)	7,9 (8,3)	
Nhiệt độ hoạt động		0°C đến +40°C					

- Với chính sách liên tục cải tiến, SHARP được phép thay đổi thiết kế và thông số kỹ thuật nhằm mục đích cải tiến chất lượng sản phẩm mà không thông báo trước. Các thông số được trình bày là giá trị danh định cho các máy được sản xuất hàng loạt. Có thể có một vài sự thay đổi so với các giá trị đã nêu trên một máy riêng lẻ.
- Thông số kỹ thuật có thể khác tùy thuộc vào quốc gia đã chọn.

⚠️ CẢN THẬN

- Việc lắp đặt TV Tinh thể Lỏng đòi hỏi kỹ năng đặc biệt chỉ nên được tiến hành bởi nhân viên có chuyên môn. Khách hàng không nên tự mình tìm cách làm việc này. SHARP không chịu trách nhiệm đối với việc lắp đặt sai hoặc lắp đặt dẫn đến tai nạn hoặc chấn thương.
- Hãy đọc kỹ những hướng dẫn đi kèm với giá treo trước khi bắt đầu công việc.
- Không lắp đặt / treo tường TV trong tình trạng nghiêng.

เรียน ผู้มีอุปการคุณที่สนับสนุนผลิตภัณฑ์ของชาร์ป

ขอขอบคุณที่ท่านเลือกซื้อผลิตภัณฑ์ โทรทัศน์สีจอแอลซีดีของชาร์ป เพื่อการใช้งานที่ปลอดภัย และปราศจากปัญหาตลอดอายุการใช้งาน โปรดอ่านข้อควรระวังที่สำคัญเพื่อความปลอดภัยให้ละเอียดก่อน ใช้งานผลิตภัณฑ์

ข้อควรระวังที่สำคัญเพื่อความปลอดภัย

[ภาษาไทย TH]

- เพื่อป้องกันไม่ให้เครื่องที่รับสัญญาณและทำให้เกิดการบาดเจ็บ ต้องติดตั้งขาตั้งโทรทัศน์ให้แน่นหนา
- การทำความสะอาด — ถอดปลั๊กสายไฟ AC ออกจากเต้ารับก่อนทำความสะอาดผลิตภัณฑ์ ให้ใช้ผ้านุ่มหมาดทำความสะอาด ผลิตภัณฑ์ ห้ามใช้น้ำยาทำความสะอาด สเปรย์ทำความสะอาด หรือผ้าอามสารเคมีกับผลิตภัณฑ์ เพราะวัสดุเหล่านี้อาจทำให้ ผลิตภัณฑ์เสียหายได้
- น้ำและความชื้น — ห้ามใช้งานผลิตภัณฑ์ใกล้กับบริเวณที่มีน้ำ เช่น อ่างอาบน้ำ อ่างล้างมือ อ่างล้างจาน อ่างซักผ้า สระว่ายน้ำ และในห้องใต้ดินที่เปียกชื้น
- ห้ามวางแก้ว หรือบรรจุภัณฑ์ใส่น้ำไว้บนผลิตภัณฑ์ เนื่องจากน้ำอาจจะหกหรือผลิตภัณฑ์ และทำให้เกิดไฟไหม้ หรือไฟฟ้าดูดได้
- ขาตั้ง — ห้ามวางผลิตภัณฑ์บนรถเข็น ฐานวาง ขาตั้ง หรือโต๊ะที่ไม่มั่นคง เนื่องจากอาจทำให้ผลิตภัณฑ์ชกตกและก่อให้เกิดการบาดเจ็บร้ายแรงต่อบุคคลหรือเกิดความเสียหายต่อผลิตภัณฑ์ ใช้เฉพาะรถเข็น ฐานวาง ขาตั้ง หรือโต๊ะที่ผู้ผลิตผลิตภัณฑ์แนะนำ หรือจำหน่ายมาพร้อมกับผลิตภัณฑ์เท่านั้น เมื่อติดตั้งผลิตภัณฑ์บนรถเข็น ต้องแน่ใจว่าได้ปฏิบัติตามขั้นตอนการติดตั้งของผู้ผลิตผลิตภัณฑ์ และใช้เฉพาะอุปกรณ์การติดตั้งที่ผู้ผลิตผลิตภัณฑ์แนะนำเท่านั้น
- เมื่อเคลื่อนย้ายผลิตภัณฑ์ ให้วางผลิตภัณฑ์บนรถเข็น และเช็ด้วยความระมัดระวัง การหยุดโดยกะทันหัน ใช้แรงเข็นมากเกินไป และเข็นบนพื้นขรุขระ อาจทำให้ผลิตภัณฑ์ชนหรือแตกหักได้
- การระบายอากาศ — ช่องระบายอากาศ และช่องเปิดอื่นๆ ของฝาครอบโทรทัศน์ออกแบบมาเพื่อการระบายอากาศ ห้ามคลุมหรือปิดกั้นช่องระบายอากาศและช่องเปิดเหล่านี้เนื่องจากจะทำให้มีการระบายอากาศในตัวผลิตภัณฑ์ไม่ดีพอ และอาจเกิดความร้อนสูง และ/หรือทำให้อายุการใช้งานของผลิตภัณฑ์สั้นลง ห้ามวางผลิตภัณฑ์บนเตียงนอน โซฟา พรม หรือพื้นผิวอื่นๆ ที่มีลักษณะคล้ายคลึงกัน เนื่องจากพื้นผิวดังกล่าวอาจปิดกั้นช่องทางการระบายอากาศ ผลิตภัณฑ์นี้ไม่ได้ถูกออกแบบมาเพื่อติดตั้งแบบมิลท์ลิน ดังนั้นห้ามวางผลิตภัณฑ์ในพื้นที่ปิด เช่น ตู้ หรือชั้นวางหนังสือ เว้นแต่จะมีการระบายอากาศที่เหมาะสม หรือได้ปฏิบัติตามคำแนะนำในการติดตั้งของผู้ผลิตผลิตภัณฑ์
- จอ LCD ที่ใช้กับผลิตภัณฑ์นี้เป็นแก้ว ดังนั้นอาจแตกได้เมื่อถูกกระแทกอย่างแรง หรือถูกกระแทกด้วยวัตถุมีคม หากจอ LCD แตก โปรดระวังเพื่อไม่ให้ได้รับบาดเจ็บจากเศษแก้วที่แตก
- แหล่งความร้อน — วางผลิตภัณฑ์ให้ห่างจากแหล่งความร้อน เช่น หม้อน้ำ เครื่องทำความร้อน เตาอบ และอุปกรณ์สร้างความร้อนอื่นๆ (รวมถึงเครื่อง วิทยุเสียงด้วย)
- เพื่อป้องกันการเกิดไฟไหม้ ห้ามวางเทียน หรือวัตถุใดๆ ที่มีประกายไฟไว้ด้านบนหรือใกล้กับผลิตภัณฑ์
- เพื่อป้องกันการเกิดไฟไหม้ หรืออันตรายจากไฟฟ้ดูด ห้ามวางเครื่องทีวี หรือสิ่งของอื่นๆ ที่มีน้ำหนักมากทับสายไฟ AC
- ห้ามวางวัตถุที่มีน้ำหนักมากบนผลิตภัณฑ์นี้ เนื่องจากอาจเกิดการบาดเจ็บขึ้นหากผลิตภัณฑ์พลิกคว่ำ โปรดใช้ความระมัดระวังเป็นพิเศษเมื่อมีเด็ก หรือสัตว์เลี้ยงอยู่ใกล้
- แผง LCD สร้างขึ้นด้วยเทคโนโลยีที่มีความแม่นยำสูงมาก และมีพิทเซลล์ที่มีประสิทธิภาพ 99.99% ขึ้นไป พิกเซลที่หายไป 0.01% หรือน้อยกว่าหรือพิทเซลล์ที่สว่างลดลงเวลานั้นไม่ใช่ความผิดปกติ

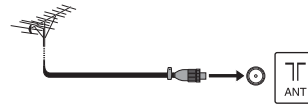
ข้อควรระวังเมื่อเคลื่อนย้ายโทรทัศน์

- เมื่อเคลื่อนย้ายทีวี ห้ามยกโดยการกดเครื่องไว้ เพราะจะเป็นการกดน้ำหนักบนหน้าจอ ไนท์เครื่องทีวีโดยใช้นองสองคนเท่านั้น และยกด้วยสองมือ — โดยมีแต่ละข้างจับที่แต่ละด้านของทีวี
- ห้ามแสดงภาพนิ่งเป็นเวลานาน เพราะอาจทำให้เกิดเงาภาพหลังแสดงค้างอยู่
- โปรดติดตั้งผลิตภัณฑ์นี้ไว้ในตำแหน่งที่สามารถถอดสายไฟ AC ออกจากเต้ารับ AC หรือถอดออกจากช่องต่อสายไฟ AC INPUT ด้านหลังผลิตภัณฑ์ได้ง่าย
- ความเสถียรไม่คงที่
- โทรทัศน์อาจตกลงมา ทำให้ได้รับบาดเจ็บสาหัสหรือเสียชีวิตได้ การบาดเจ็บเป็นจำนวนมากโดยเฉพาะกับเด็ก สามารถหลีกเลี่ยงได้โดยข้อควรระวังเบื้องต้น เช่น:
 - ใช้ตู้หรือขาตั้งหรือวิธีการติดตั้งที่แนะนำโดยผู้ผลิตโทรทัศน์เสมอ
 - ควรใช้เฟอร์นิเจอร์ที่รองรับโทรทัศน์เพื่อความปลอดภัยเสมอ
 - ตรวจสอบให้แน่ใจเสมอว่าโทรทัศน์ไม่ได้ยื่นออกมาเกินขอบของเฟอร์นิเจอร์ที่รองรับ
 - ให้ความรู้แก่เด็ก ๆ เสมอเกี่ยวกับอันตรายของการปีนขึ้นไปบนเฟอร์นิเจอร์เพื่อเอื้อมจับโทรทัศน์หรือส่วนควบคุม
 - เดินสายไฟและสายเคเบิลที่เชื่อมต่อกับโทรทัศน์ของคุณ เพื่อให้สายไฟและสายเคเบิลอยู่สูง ติด หรือความเสมอ
 - ห้ามวางโทรทัศน์ไว้ในตำแหน่งที่พื้นที่ไม่เหมาะสม
 - ไม่ควรวางโทรทัศน์ไว้บนเฟอร์นิเจอร์สูง (เช่น ตู้หรือตู้หนังสือ) โดยปราศจากการยึดติดกับสองเฟอร์นิเจอร์ข้างต้นและโทรทัศน์ควรตั้งไว้บนฐานรองรับที่เหมาะสม
 - ห้ามวางโทรทัศน์บนผ้าหรือวัสดุอื่นๆ ที่อาจอยู่ระหว่างโทรทัศน์และเฟอร์นิเจอร์ที่รองรับ
 - ห้ามวางสิ่งของที่อาจลื่นไถลได้บนป้าย เช่น ของเล่นและรีโมทคอนโทรล ไว้บนโทรทัศน์หรือเฟอร์นิเจอร์ที่วางโทรทัศน์ หากจัดเก็บและเคลื่อนย้ายโทรทัศน์ ควรพิจารณาเช่นเดียวกับข้างต้น
- ห้ามติดตั้งทีวีในที่ที่อาจมีน้ำหยด เช่น ใต้เครื่องปรับอากาศ หรือในบริเวณเครื่องเพิ่มความชื้นในอากาศ
- น้ำที่หยดลงในทีวีและเข้าไปในทีวีอาจทำให้เกิดไฟไหม้ ไฟช็อต หรือการทำงานขัดข้อง
- เราแนะนำให้คุณติดตั้งทีวีให้ห่างอย่างน้อย 1 เมตรจากช่องลมของเครื่องปรับอากาศ

การติดตั้งเบื้องต้น

ดำเนินการตามขั้นตอนต่อไปนี้จะขึ้นตอนเมื่อใช้งานทีวีครั้งแรก บางขั้นตอนอาจไม่จำเป็นต้องดำเนินการ ทั้งนี้ขึ้นกับการติดตั้งทีวี และการเชื่อมต่อของท่าน

- 1 เชื่อมต่อสายเสาอากาศเข้ากับช่องต่อ เสาอากาศ
- 3 กดปุ่ม / (ปุ่ม/ตัวควบคุม)/POWER ที่โทรทัศน์
- 4 เริ่มใช้การตั้งค่าครั้งแรก
 - ทำตามคำแนะนำบนทีวีเพื่อตั้งค่าการตั้งค่า

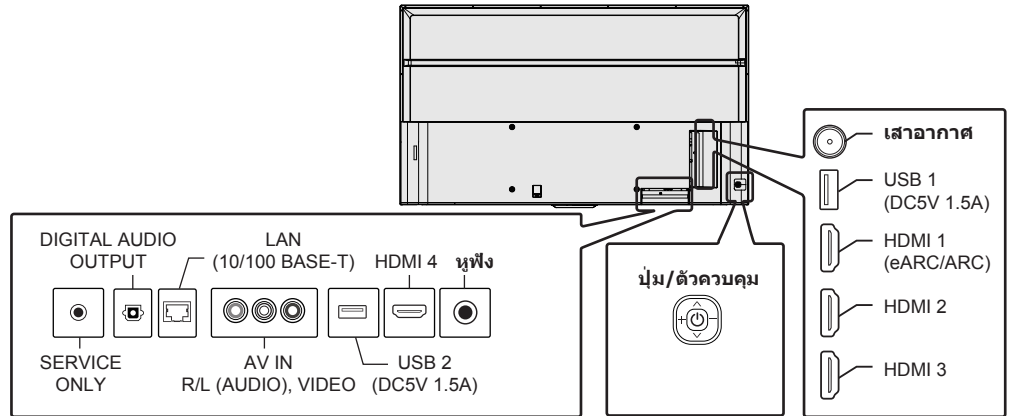


2 เสียบสายไฟ AC เข้าไปในเต้ารับ AC

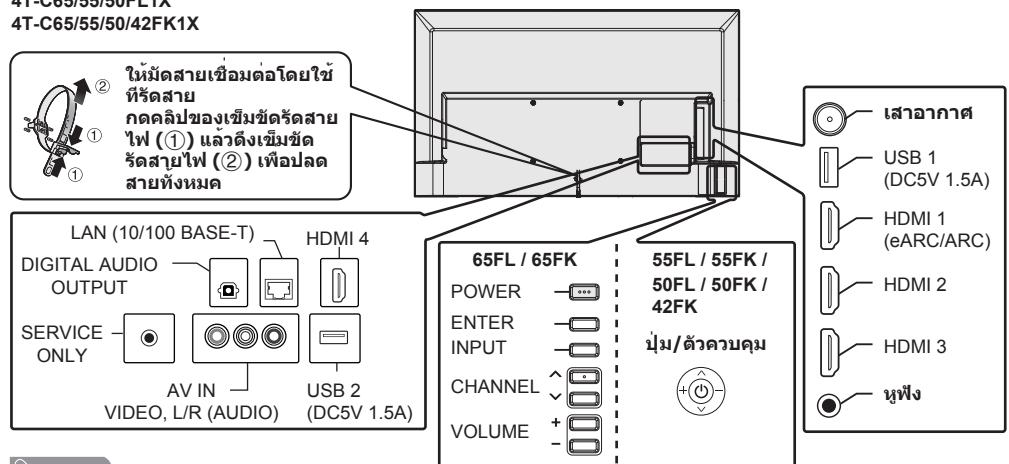
- ควรวางโทรทัศน์ไว้ใกล้กับเต้ารับ AC และอยู่ในตำแหน่งที่สามารถเข้าถึงปลั๊กไฟได้ง่าย
- รูปร่างของผลิตภัณฑ์จะแตกต่างกันไปตามประเทศที่วางจำหน่าย

แผนภาพเทอร์มินัล (ทีวี ด้านหลัง)

4T-C75FK1X



4T-C65/55/50FL1X
4T-C65/55/50/42FK1X



หมายเหตุ

- ภาพประกอบในคู่มือนี้ที่ เล่ม อ้างอิงจากรุ่น 4T-C50FL1X / 4T-C50FK1X.

ดูคู่มืออิเล็กทรอนิกส์

ดูคู่มือการใช้งานภายในเครื่อง

แสดงคู่มือการใช้งานภายในเครื่องบนหน้าจอ คุณสามารถอ่านข้อมูลเกี่ยวกับวิธีการใช้อุปกรณ์นี้จะต้องมี การเชื่อมต่ออินเทอร์เน็ต

- กด **HOME** (บ้าน) เพื่อแสดงหน้าจอ บ้าน จากนั้นกด **</>** เพื่อเลือก "คู่มือ" แล้วกด **ENTER/OK** คู่มือการใช้งานภายในเครื่อง
- เมื่อท่านเลือกเนื้อหา หน้าเอกสารจะแสดงขึ้น



ภาคผนวก

ปัญหาการใช้งาน

ปัญหาที่อธิบายด้านล่างนี้ไม่ได้เกิดจากการทำงานผิดปกติเสมอไป ให้ตรวจสอบโทรทัศน์ของท่านก่อนที่จะนำโทรทัศน์ไปรับบริการซ่อม

ปัญหา	แนวทางแก้ปัญหาเบื้องต้น
• ไม่มีกำลังไฟเข้า	<ul style="list-style-type: none"> ตรวจสอบว่าไดคอด POWER บนรีโมทคอนโทรลหรือไม่ ได้ต่อสายไฟ AC หรือไม่? ได้เปิดสวิตช์ที่เครื่องทีวีหรือไม่?
• รีโมทคอนโทรลไม่ทำงาน	• ใส่แบตเตอรี่กลับขั้ว (+, -) อยู่ใช่หรือไม่?
• ไม่มีภาพ	• การเชื่อมต่อกับส่วนประกอบอื่นถูกต้องหรือไม่?
• ไม่มีเสียง	• การเชื่อมต่อกับส่วนประกอบอื่นถูกต้องหรือไม่?

คำปฏิเสธความรับผิดชอบ

- อุปกรณ์ของชาร์ปเครื่องนี้ช่วยอำนวยความสะดวกในการเข้าถึงเนื้อหาและบริการจากบุคคลที่สาม เนื้อหาและบริการที่เข้าถึงได้ผ่านอุปกรณ์นี้เป็นของและอาจเป็นกรรมสิทธิ์ของบุคคลที่สาม ดังนั้น การใช้งานเนื้อหาและบริการใดๆ ของบุคคลที่สามจะต้องเป็นไปตามการอนุญาตหรือข้อตกลงการใช้งานที่ใหม่โดยผู้ให้บริการเนื้อหาหรือบริการนั้นๆ ชาร์ปไม่รับผิดชอบต่อนานหรือบุคคลที่สามใดๆ สำหรับการที่ท่านล้มเหลวที่จะปฏิบัติตามการอนุญาตหรือข้อตกลงการใช้งานนั้นๆ เนื้อหาและบริการของบุคคลที่สามทั้งหมดมิใช่เพื่อการใช้งานส่วนตัวและไม่ใช่เพื่อการค้า นอกจากนี้ได้รับการอนุญาตเป็นพิเศษโดยชาร์ปให้ท่านไม่ต้องรับผิดชอบต่อชาร์ปสำหรับการใช้งานที่ผิดกฎหมาย การละเมิดลิขสิทธิ์ การละเมิดสัญญา การละเมิดสัญญาจ้างงานต่อยอด ถ่ายโอน หรือขายในลักษณะใดๆ หรือผ่านทางสื่อกลางใดๆ กับเนื้อหาหรือบริการที่มีผ่านทางอุปกรณ์นี้
- ชาร์ปไม่รับผิดชอบและไม่รับผิดชอบประเด็นปัญหาที่เกี่ยวข้องกับบริการลูกค้า ที่เกี่ยวข้องกับเนื้อหาหรือบริการของบุคคลที่สาม คำถาม ข้อคิดเห็น หรือคำถามเกี่ยวกับบริการที่เกี่ยวข้องกับเนื้อหาหรือบริการของบุคคลที่สามจะต้องส่งตรงไปยังผู้ให้บริการเนื้อหาหรือบริการที่เกี่ยวข้องนั้นๆ ท่านอาจไม่สามารถเข้าถึงเนื้อหาหรือบริการจากอุปกรณ์เนื่องจากเหตุผลหลายประการซึ่งอาจไม่เกี่ยวข้องกับตัวอุปกรณ์นั้นเอง รวมถึงแต่ไม่จำกัดเฉพาะ ไฟฟ้าขัดข้อง การเชื่อมต่ออินเทอร์เน็ตอื่นๆ หรือการกำหนดค่าเครื่องของท่านอย่างไม่เหมาะสม ชาร์ป รวมถึงกรรมการบริษัท เจ้าหน้าที่ พนักงาน ตัวแทน ผู้รับจ้าง และบริษัทในเครือ ไม่รับผิดชอบต่อนานหรือบุคคลที่สามเนื่องจากความขัดข้องดังกล่าวหรือการปิดให้บริการเพื่อซ่อมบำรุง ไม่ว่าจะมีสาเหตุใด หรือเป็นกรณีที่สามารถหลีกเลี่ยงได้หรือไม่
- เนื้อหาหรือบริการของบุคคลที่สามที่สามารถเข้าถึงได้ผ่านทางอุปกรณ์นี้มิให้ท่านโดย "ตามสภาพที่เป็น" และ "ตามที่มีใน" และชาร์ปและบริษัทในเครือไม่รับรองหรือเป็นตัวแทนในลักษณะใดๆ ต่อนาน ไม่ว่าจะโดยชัดแจ้งหรือโดยนัย รวมถึงแต่ไม่จำกัดเฉพาะการรับรองความสามารถในการค้นหาได้ การไม่ละเมิดสิทธิบัตร ความเหมาะสมแก่วัตถุประสงค์เฉพาะใดๆ หรือการรับรองความเหมาะสม ความพร้อมใช้งาน ความแม่นยำ ความสมบูรณ์ ความปลอดภัย กรรมสิทธิ์ ความมีประโยชน์ ความปราศจากข้อขัดข้อง ความปลอดภัย หรือความปราศจากข้อผิดพลาด หรือการทำงานที่ไม่หยุดชะงัก หรือการที่เนื้อหาหรือบริการจะตรงตามต้องการหรือความคาดหวังของท่าน
- ชาร์ปมิใช่ตัวแทนและถือว่าไม่มีความรับผิดชอบใดๆ ต่อการกระทำหรือการละเว้นการกระทำของผู้ให้บริการเนื้อหาหรือบริการของบุคคลที่สาม หรือแอมป์ใดๆ ของเนื้อหาหรือบริการที่เกี่ยวข้องกับผู้ให้บริการบุคคลที่สามนั้นๆ
- ชาร์ปและ/หรือบริษัทในเครือไม่รับผิดชอบในกรณีใดๆ ต่อนานและบุคคลที่สามสำหรับการลงโทษ ผลที่ตามมา หรือความเสียหายอื่นใด ทั้งโดยตรง โดยอ้อม กรณีพิเศษ หรือเกิดขึ้นโดยบังเอิญ ไม่ว่าทฤษฎีของความรับผิดชอบนั้นขึ้นกับสัญญา การลงละเมิด ความประมาทเลินเล่อ การละเมิดข้อตกลงการรับประกัน การรับผิดชอบเครื่องครัว หรือการละเมิดใด และไม่ว่าชาร์ปและบริษัทในเครือจะได้รับการแจ้งให้ทราบความเสียหายใดก็ตาม

ข้อมูลจำเพาะ

รายการ	รุ่น	75FK	65FL 65FK	55FL 55FK	50FL 50FK	42FK	
แผงหน้าจอลดเลี้ยว		189 ซม.	164 ซม.	139 ซม.	126 ซม.	105 ซม.	
ความละเอียด		8,294,400 พิกเซล (3840 × 2160)					
ระบบสีวิดีโอ		PAL/SECAM/NTSC 3.58/NTSC 4.43/PAL 60					
ฟังก์ชันทีวี	ทีวีมาตรฐาน	อนาล็อก	PAL: B/G, D/K, I SECAM: B/G, D/K, K/K1 NTSC: M				
		ดิจิตอล	DVB-T/DVB-T2, DTMB (สำหรับฮ่องกง)				
	ช่องรายการที่รับ	VHF/UHF	44.25 – 863.25 MHz				
	ระบบการตั้งช่อง		ค่าที่ตั้งไว้อัตโนมัติ				
	สเตอริโอ/สองภาษา		NICAM: B/G, I, D/K A2 สเตอริโอ: B/G MTS: M				
ระบบขยายเสียง		10 W × 2					
ช่องเชื่อมต่อ	เสาอากาศ	75 Ω ชนิด DIN					
	HDMI 1	HDMI 4K, ALLM/VRR, eARC/ARC					
	HDMI 2, 3, 4	HDMI 4K, ALLM/VRR					
	AV IN	AUDIO เข้า, VIDEO เข้า					
	USB 1, 2	USB (เอาต์พุต DC5V 1.5A)					
	LAN (10/100 BASE-T)	ตัวเชื่อมต่อเครือข่าย					
	DIGITAL AUDIO OUTPUT	สัญญาณเสียงออกดิจิตอล S/PDIF แบบออปติคัล					
	หูฟัง	ช่องเสียบ ϕ 3.5 มม.					
SERVICE ONLY	แฉีก ϕ 3.5 มม.						
โปรโตคอล Wi-Fi (ความปลอดภัย Wi-Fi)		IEEE 802.11 a/b/g/n/ac 2T/2R ดวลแบนด์ (WFA/WPA/WPA2)					
บลูทูธ		V2.1/3.0/4.2/5.0					
ภาษาบนหน้าจอ		ภาษาอังกฤษ/จีนตัวย่อ/จีนตัวเต็ม(TW)/จีนตัวเต็ม(HK)/อารบิก/ฝรั่งเศส/รัสเซีย/เปอร์เซีย/เวียดนาม/อินโดนีเซีย/ภาษามลายู					
ข้อกำหนดด้านพลังงาน		AC 110 – 240 V, 50/60 Hz					
อัตราการใช้พลังงาน (W) (รอกการทำงาน) (W)		235 (0.5)	65FL: 222 (0.5) 65FK: 207 (0.5)	55FL: 176 (0.5) 55FK: 148 (0.5)	50FL: 144 (0.6) 50FK: 122 (0.6)	118 (0.6)	
	ขนาด	ไม่รวมขาตั้ง	กว้าง × ยาว × หนา (มม.)	1678 × 975 × 74	1462 × 854 × 76	1232 × 722 × 80	1118 × 655 × 80
	รวมขาตั้ง	กว้าง × ยาว × หนา (มม.)	1678 × 1056 × 403	1462 × 920 × 289	1232 × 785 × 273	1118 × 720 × 273	948 × 607 × 273
น้ำหนัก (รวมขาตั้ง) (กิโลกรัม)	ไม่รวมขาตั้ง (กิโลกรัม)	27.5 (28.5)	22.0 (23.0)	13.0 (13.5)	11.0 (11.5)	7.9 (8.3)	
	รวมขาตั้ง (กิโลกรัม)						
อุณหภูมิในการใช้งาน		0°C ถึง +40°C					

- ตามนโยบายในการพัฒนาที่ต่อเนื่อง ชาร์ป ขอสงวนสิทธิ์ในการออกแบบและเปลี่ยนแปลงข้อมูลจำเพาะบางประการในการปรับปรุง ผลิตภัณฑ์โดยไม่ต้องแจ้งให้ทราบล่วงหน้า ตัวเลขของข้อมูลด้านประสิทธิภาพที่แสดงไว้เป็นค่าพื้นฐานโดยทั่วไปของ ผลิตภัณฑ์ ซึ่งผลิตภัณฑ์แต่ละตัวอาจมีค่าดังกล่าวนี้แตกต่างกัน
- ข้อกำหนดอาจแตกต่างกันออกไป ทั้งนี้ขึ้นกับประเทศที่เลือก

ข้อควรระวัง

- การติดตั้งโทรทัศน์จอแอลซีดีควรติดตั้งโดยช่างผู้ชำนาญการที่ได้รับการรับรอง ผู้ใช้ไม่ควรพยายามติดตั้งด้วยตนเอง ทางบริษัทชาร์ปจะไม่รับผิดชอบต่ออุบัติเหตุหรือการบาดเจ็บที่เกิดจากการติดตั้งที่ไม่เหมาะสม
- โปรดอ่านคู่มือการใช้งานที่มาพร้อมกับชุดอุปกรณ์แชนนอนก่อนเริ่มทำการติดตั้ง
- ห้ามติดตั้งหรือติดตั้งทีวีในลักษณะเอียง

Уважаемый покупатель продукции SHARP

Благодарим Вас за приобретение цветного телевизора с жидкокристаллическим дисплеем SHARP. Для обеспечения безопасности и многих лет бесперебойной эксплуатации Вашего изделия, пожалуйста, перед началом его использования внимательно прочтите пункт Важные меры предосторожности по безопасности.

Важные меры предосторожности по безопасности [РУССКИЙ RU]

- Во избежание падения телевизора и получения травм, он должен устанавливаться на подставке.
- Очистка — Перед очисткой изделия отсоедините шнур питания переменного тока от сетевой розетки. Очищайте изделие мягкой влажной тканью. Запрещается использовать для очистки жидкие или аэрозольные чистящие средства и пропитанную химическими средствами ткань, поскольку эти материалы могут повредить изделие.
- Вода и влага — Не используйте изделие вблизи воды, например, рядом с ванной, умывальником, кухонной мойкой, емкостью для стирки, плавательным бассейном и в сыром подвале.
- Не размещайте на данном изделии вазы или другие емкости с водой. Вода может пролиться на изделие, что приведет к возгоранию или поражению электрическим током.
- Подставка — Не размещайте изделие на неустойчивой тележке, подставке, треноге или столе. Это может вызвать падение изделия, что приведет к серьезным травмам, а также к его повреждению. Используйте только тележку, подставку, треногу, кронштейн или стол, рекомендуемые производителем или продаваемые вместе с изделием. При установке изделия на стене обязательно следуйте инструкциям производителя. Используйте только монтажные детали, рекомендуемые производителем.
- При перемещении изделия, размещенного на тележке, его следует передвигать с максимальной осторожностью. Внезапные остановки, чрезмерные усилия или неровная поверхность пола могут вызвать падение изделия с тележки.
- Вентиляция — Вентиляционные и другие отверстия в корпусе предназначены для вентиляции. Не закрывайте и не загромождайте данные щели и отверстия, так как недостаточная вентиляция может привести к перегреву и/или сокращению срока эксплуатации изделия. Не размещайте изделие на кровати, диване, ковре и на подобных поверхностях, так как они могут закрыть вентиляционные отверстия. Данное изделие не предназначено для встроенной установки; не размещайте его в закрытом пространстве, таком как книжный шкаф или полка, не обеспечив соответствующую вентиляцию, указанную в инструкциях производителя.
- Панель жидкокристаллического дисплея, используемая в данном изделии, сделана из стекла. Поэтому при сильном ударе или ударе острым объектом она может разбиться. В случае повреждения панели жидкокристаллического дисплея будьте осторожны, чтобы не пораниться осколками стекла.
- Источники тепла — Храните изделие вдали от источников тепла, таких как радиаторы, нагреватели, печи и другие изделия, выделяющие тепло (включая усилители).
- Для предотвращения возгорания никогда не размещайте сверху или снизу телевизора какие-либо свечи или открытый огонь.
- Для предотвращения возгорания или поражения электрическим током запрещается пропускать шнур питания переменного тока под телевизором и другими тяжелыми предметами.
- Запрещается класть на изделие тяжелые предметы или вставать на него. Это может привести к травме, если изделие перевернется. В присутствии детей или домашних животных необходимо соблюдать особую осторожность.
- ЖК-панель изготовлена с использованием высокоточной технологии и имеет не менее 99,99% эффективных пикселей. Отсутствие пикселей 0,01% или меньше или те, которые постоянно горят, не являются неисправностью.

Меры предосторожности при транспортировке телевизора

- Запрещается переносить телевизор, удерживая его за экран, или иным образом нажимать на экран. Переносить телевизор должны два человека, удерживая его обеими руками — одной рукой с каждой стороны телевизора.
- Не отображайте неподвижное изображение в течение длительного периода времени, так как это может вызвать появление остаточного изображения.
 - Устанавливайте устройство так, чтобы шнур питания переменного тока можно было беспрепятственно отсоединить от сетевой розетки или от гнезда AC INPUT на задней панели телевизора.
 - Опасность стабильности
 - Телевизор может упасть, что может привести к серьезной травме или смерти. Многих травм, особенно детских, можно избежать, соблюдая простые меры предосторожности, такие как:
 - ВСЕГДА используйте шкафы или подставки или способы крепления, рекомендованные производителем телевизора.
 - ВСЕГДА используйте мебель, которая может безопасно поддерживать телевизор.
 - ВСЕГДА следите за тем, чтобы телевизор не выступал за край опорной мебели.
 - ВСЕГДА информируйте детей об опасности лазания по мебели, чтобы добраться до телевизора или его элементов управления.
 - ВСЕГДА прокладывайте шнуры и кабели, подключенные к телевизору, таким образом, чтобы о них нельзя было споткнуться, их нельзя было потянуть или схватить.
 - НИКОГДА не ставьте телевизор в неустойчивом месте.
 - НИКОГДА не ставьте телевизор на высокую мебель (например, на шкафы или книжные полки), не закрепив мебель и телевизор на подходящей опоре.
 - НИКОГДА не ставьте телевизор на ткань или другие материалы, которые могут находиться между телевизором и опорной мебелью.
 - НИКОГДА не кладите предметы, которые могут побудить детей забраться наверх, например игрушки и пульты дистанционного управления, на верхнюю часть телевизора или мебель, на которой установлен телевизор.
 - Если существующий телевизор предполагается сохранить и переместить, следует применить те же соображения, что и выше.
 - Не устанавливайте телевизор в месте возможного каплеобразования, например, под кондиционером или рядом с увлажнителем.
 - Попадание капель воды на телевизор или внутрь может привести к возгоранию, поражению электрическим током или нарушению его работоспособности.
 - Рекомендуется устанавливать телевизор на расстоянии не менее 1 м от розетки питания кондиционера.

Первоначальная установка

При первом использовании телевизора последовательно выполните приведенные ниже пункты один за другим. В зависимости от установки и подключения телевизора некоторые пункты могут быть необязательными.

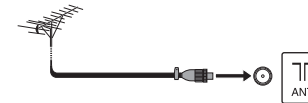

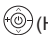
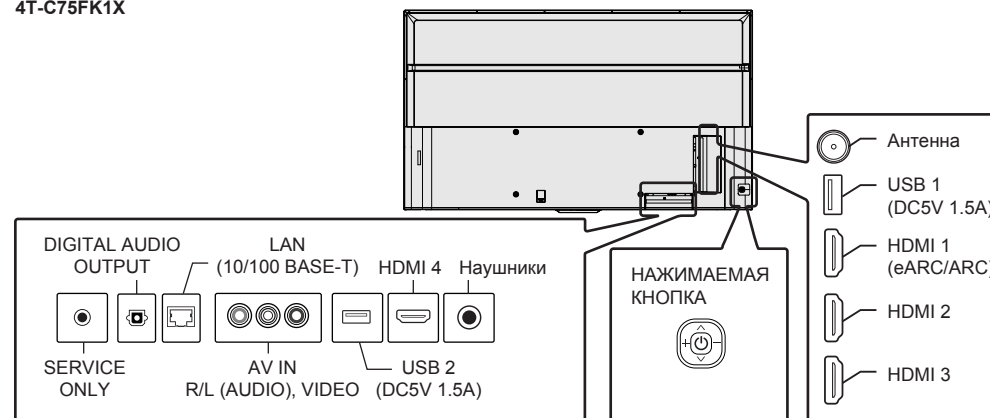
- 1 Подсоедините антенный кабель к гнезду антенны.
 
- 2 Вставьте шнур питания в розетку переменного тока.
 - Расположите телевизор вблизи сетевой розетки так, чтобы штепсельная вилка была в пределах досягаемости.
 - Конфигурация устройств в некоторых странах может отличаться.
- 3 Нажмите кнопку  /  (НАЖИМАЕМАЯ КНОПКА) / POWER на телевизоре.
- 4 Запуск первоначальной установки.
 - Следуйте инструкциям по телевизору экран для установки настроек.

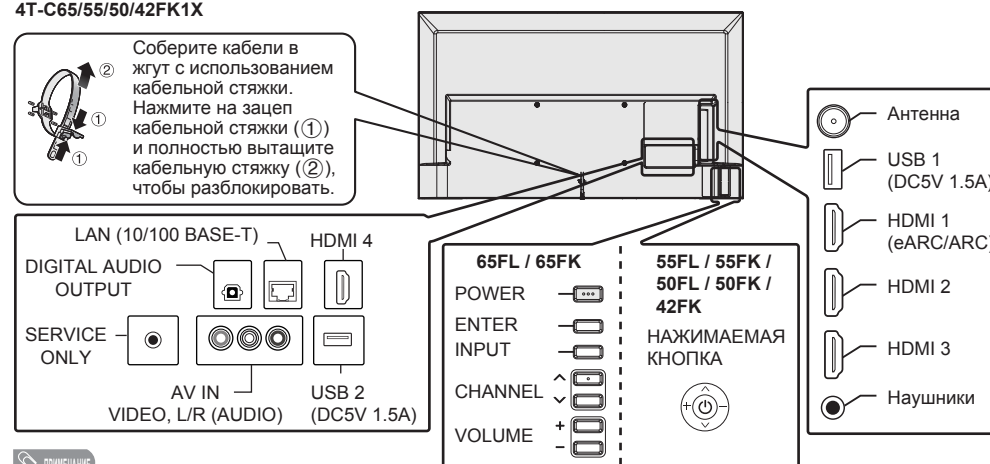
Схема клемм (ТВ сзади)

4T-C75FK1X



4T-C65/55/50FL1X

4T-C65/55/50/42FK1X



ПРИМЕЧАНИЕ

- Приведенные в этом руководстве чертежи даны применительно к модели 4T-C50FL1X / 4T-C50FK1X.

Просмотр электронного руководства

Просмотр встроенного руководства по эксплуатации

Отображение на экране встроенную инструкцию по эксплуатации. Вы можете прочитать информацию о том, как пользоваться этим устройством. Потребуется подключение к Интернету.

- 1 Нажмите кнопку **🏠 (ДОМОЙ)** для вывода экрана ДОМ, нажмите **</>** для выбора «Вручную», а затем нажмите кнопку **ENTER/OK**. При этом отобразится встроенное руководство по эксплуатации.
- 2 При выборе содержания отображается соответствующая страница.



Приложение

Поиск и устранение неисправностей

Нижеуказанные проблемы не всегда вызываются неисправностями. Проверьте телевизор несколько раз, прежде чем сдавать его в ремонт.

Проблема	Возможное решение
• Не включается питание.	<ul style="list-style-type: none"> • Проверьте, нажали ли Вы кнопку POWER на пульте дистанционного управления. • Не отсоединился ли шнур питания переменного тока? • Включено ли питание?
• Пульт дистанционного управления не работает.	<ul style="list-style-type: none"> • Установлены ли батарейки с соблюдением полярности (+, -)?
• Нет изображения.	<ul style="list-style-type: none"> • Правильно ли выполнено подключение к другим компонентам?
• Нет звука.	<ul style="list-style-type: none"> • Правильно ли выполнено подключение к другим компонентам?

ОГРАНИЧЕНИЕ ОТВЕТСТВЕННОСТИ

- В этом устройстве SHARP предусмотрены средства облегчения доступа к содержимому и услугам, предоставляемым сторонними поставщиками. Содержимое и услуги, доступные с использованием данного устройства, принадлежат и могут быть собственностью третьей стороны. Поэтому при любом использовании содержимого и услуг сторонних поставщиков необходимо ознакомиться с условиями разрешения на использование, которые сообщаются вместе с этим содержимым или отдельно поставщиком услуг. SHARP не несет ответственности перед вами или третьими сторонами за отсутствие разрешений и несоблюдение вами условий использования. Если в соответствующем содержимом или соглашении с поставщиком услуг особо не оговорено иное, все содержимое и услуги, предоставляемые сторонним поставщиком предназначено для личного и некоммерческого использования; вам не разрешается модифицировать, копировать, распространять, пересылать, демонстрировать, исполнять, воспроизводить, загружать, публиковать, лицензировать, создавать производные произведения, передавать или продавать никоим образом и ли на каком носителе никакое содержимое или услуги, полученные с помощью данного устройства.
- SHARP не берет на себя обязательств и не несет ответственности вследствие возникновения проблем, связанных с обслуживанием потребителей, относящихся к содержимому и услугам, предоставляемым сторонними поставщиками. Любые вопросы, комментарии или сервисные запросы, относящиеся к содержимому и услугам стороннего поставщика, следует направлять непосредственно поставщику соответствующего содержимого или услуг.
- Вы можете не получать доступ к содержимому или услугам с устройства по множеству причин, которые могут не относиться к самому устройству, в том числе, но не ограничиваясь перечисленным, вследствие сбоя электроснабжения, использования другого подключения к сети Интернет или неспособности должным образом выбрать настройки устройства. Корпорация SHARP, ее дирекция, средний руководящий состав, сотрудники, агенты, подрядчики и филиалы не несут ответственности перед вами или какими-либо третьими сторонами в отношении подобных сбоев или недоступности услуг, независимо от вызвавших их причин и от того, можно ли было их избежать или нет.
- **ВСЕ СОДЕРЖИМОЕ ИЛИ УСЛУГИ СТОРОННИХ ПОСТАВЩИКОВ, ПОЛУЧАЕМЫЕ С ПОМОЩЬЮ ДАННОГО УСТРОЙСТВА ПОСТАВЛЯЮТСЯ ВАМ НА ОСНОВЕ ПРИНЦИПОВ «КАК ЕСТЬ» И «ПО МЕРЕ НАЛИЧИЯ», А КОРПОРАЦИЯ SHARP И ЕЕ ФИЛИАЛЫ НЕ ДАЮТ ВАМ НИКАКИХ ГАРАНТИЙ И НЕ БЕРУТ НА СЕБЯ НИКАКИХ ОБЯЗАТЕЛЬСТВ ПЕРЕД ВАМИ, ЯВНО ВЫРАЖЕННЫХ ИЛИ ПОДРАЗУМЕВАЕМЫХ, В ТОМ ЧИСЛЕ, НО БЕЗ ОГРАНИЧЕНИЯ ПЕРЕЧИСЛЕННЫМИ, НИКАКИХ ГАРАНТИЙ ПРИГОДНОСТИ ДЛЯ ПРОДАЖИ, ОТСУТСТВИЯ НАРУШЕНИЯ ЧЬИХ-ЛИБО ПРАВ, ПРИГОДНОСТИ ДЛЯ КОНКРЕТНЫХ ЦЕЛЕЙ ИЛИ ГАРАНТИЙ СООТВЕТСТВИЯ, НАЛИЧИЯ, ТОЧНОСТИ, ПОЛНОТЫ, ЗАЩИТЫ, СООТВЕТСТВИЯ НАЗВАНИЮ, ПОЛЕЗНОСТИ, ОТСУТСТВИЯ ПОСЛЕДСТВИЙ ПРЕНЕБРЕЖЕНИЯ ОБЯЗАННОСТЯМИ ИЛИ ОШИБОК, БЕСПЕРЕБОЙНОЙ РАБОТЫ, ИСПОЛЬЗОВАНИЯ ПРЕДОСТАВЛЯЕМОГО ВАМ СОДЕРЖИМОГО ИЛИ УСЛУГ, А ТАКЖЕ СООТВЕТСТВИЯ СОДЕРЖИМОГО ИЛИ УСЛУГ ВАШИМ ТРЕБОВАНИЯМ ИЛИ ОЖИДАНИЯМ.**
- КОРПОРАЦИЯ SHARP НЕ ЯВЛЯЕТСЯ АГЕНТОМ И НЕ НЕСЕТ ОТВЕТСТВЕННОСТИ НИ ЗА ДЕЙСТВИЯ ИЛИ ИХ УПУЩЕНИЯ СТОРОННИХ ПОСТАВЩИКОВ СОДЕРЖИМОГО ИЛИ УСЛУГ, НИ ЗА ТЕ ИЛИ ИНЫЕ АСПЕКТЫ СОДЕРЖИМОГО ИЛИ УСЛУГ, ОТНОСЯЩИЕСЯ К СТОРОННИМ ПОСТАВЩИКАМ.
- НИ ПРИ КАКИХ ОБСТОЯТЕЛЬСТВАХ НИ КОРПОРАЦИЯ SHARP, НИ ЕЕ ФИЛИАЛЫ НЕ НЕСУТ ОТВЕТСТВЕННОСТИ ПЕРЕД ВАМИ ИЛИ ПЕРЕД ТРЕТЬЕЙ СТОРОНОЙ НИ ЗА КАКОЮ, ПРЯМОЙ, КОСВЕННЫЙ, НАМЕРЕННЫЙ, СЛУЧАЙНЫЙ, СВЯЗАННЫЙ С НАКАЗАНИЕМ ИЛИ ПОСЛЕДСТВИЯМИ ИЛИ ЛЮБОЙ ИНОЙ УЩЕРБ, НЕЗАВИСИМО ОТ ТОГО, ОСНОВЫВАЮТСЯ ЛИ ПРИНЦИПЫ ОТВЕТСТВЕННОСТИ НА КОНТРАКТЕ, ДЕЛИКТЕ, ПРЕНЕБРЕЖЕНИИ ОБЯЗАННОСТЯМИ, РАЗРЫВЕ ГАРАНТИЙНОГО СОГЛАШЕНИЯ, СТРОГИХ ОБЯЗАТЕЛЬСТВАХ ИЛИ НА ИНОМ, А ТАКЖЕ НЕЗАВИСИМО ОТ ТОГО, СООБЩАЛОСЬ ЛИ ИЛИ НЕТ КОРПОРАЦИИ SHARP ИЛИ ЕЕ ФИЛИАЛАМ О ВОЗМОЖНОСТИ ТАКОГО УЩЕРБА.

Технические характеристики

Опция	Модель	75FK	65FL 65FK	55FL 55FK	50FL 50FK	42FK	
ЖК-панель		189 см	164 см	139 см	126 см	105 см	
Разрешение		8 294 400 пикселей (3840 × 2160)					
Цветовая система видеосигнала		PAL/SECAM/NTSC 3.58/NTSC 4.43/PAL 60					
Функция телевизора	Телевизионный стандарт	Аналоговый	PAL: B/G, D/K, I SECAM: B/G, D/K, K/K1 NTSC: M				
		Цифровой	DVB-T/DVB-T2, DTMB (Для Гонконга)				
	Принимаемый канал	VHF/UHF	44,25 – 863,25 МГц				
	Система настройки телевизионных каналов		Автоматическая предустановка				
	СТЕРЕО/ДУВЯЗЫЧНЫЙ	NICAM: B/G, I, D/K A2 стерео: B/G MTS: M					
Усилитель звука		10 Вт × 2					
Терминалы	Антенна	75 Ом, тип DIN					
	HDMI 1	HDMI 4K, ALLM/VRR, eARC/ARC					
	HDMI 2, 3, 4	HDMI 4K, ALLM/VRR					
	AV IN	АУДИОВХОД, ВИДЕОВХОД					
	USB 1, 2	USB (выход DC5V 1,5A)					
	LAN (10/100 BASE-T)	Подключение к сети					
	DIGITAL AUDIO OUTPUT	Цифровой оптический аудиовыход S/PDIF					
	Наушники	φ 3,5 мм стерео					
SERVICE ONLY	Гнездо φ 3,5 мм						
Wi-Fi-протокол (Безопасность Wi-Fi)		IEEE 802.11 a/b/g/n/ac 2T/2R двухдиапазонный (WFA/WPA/WPA2)					
Bluetooth		V2.1/3.0/4.2/5.0					
Язык экранного меню		Английский/Упрощенный Китайский/Традиционный Китайский (TW)/Традиционный Китайский (HK)/Арабский/Французский/Португальский/Русский/Тайский/Вьетнамский/Индонезийский/Малайский					
Требования к электросети		110 – 240 В переменного тока, 50/60 Гц					
Потребляемая мощность (Вт) (в режиме ожидания) (Вт)		235 (0,5)	65FL: 222 (0,5) 65FK: 207 (0,5)	55FL: 176 (0,5) 55FK: 148 (0,5)	50FL: 144 (0,6) 50FK: 122 (0,6)	118 (0,6)	
Размеры	без подставки	Ш × В × Г (мм)	1678 × 975 × 74	1462 × 854 × 76	1232 × 722 × 80	1118 × 655 × 80	948 × 544 × 80
	с подставкой	Ш × В × Г (мм)	1678 × 1056 × 403	1462 × 920 × 289	1232 × 785 × 273	1118 × 720 × 273	948 × 607 × 273
Масса без подставки (кг) (с подставкой) (кг)		27,5 (28,5)	22,0 (23,0)	13,0 (13,5)	11,0 (11,5)	7,9 (8,3)	
Эксплуатационная температура		0°C до +40°C					

- В связи с постоянным совершенствованием продукции, фирма SHARP оставляет за собой право внесения изменений в дизайн и технические характеристики без предварительного уведомления. Указанные технические характеристики являются номинальными значениями выпускаемых аппаратов. Характеристики отдельных аппаратов могут несколько отличаться от этих величин.
- В зависимости от выбранной страны, некоторые характеристики могут отличаться от указанных.

ПРЕДОСТЕРЕЖЕНИЕ

- Установка телевизоров с жидкокристаллическим дисплеем требует специальных навыков и поэтому должна выполняться только квалифицированным сервисным персоналом. Пользователям не следует выполнять ее самостоятельно. Фирма SHARP не несет ответственности за несоответствующую установку или установку, которая приведет к повреждению изделия или травме человека.
- Перед началом работы необходимо внимательно ознакомиться с инструкциями, входящими в комплект кронштейна.
- Не устанавливайте/устанавливайте телевизор в наклонном состоянии.

Hurmatli SHARP mahsuloti xaridori

SHARP LCD rangli televizor mahsulotini sotib olganingiz uchun minnatdorchilik bildiramiz. Mahsulotning xavfsizligi ta'minlash vaundan uzoq yillar davomida foydalana olishingiz uchun marhamat qilib avval Muhim xavfsizlik choralari ushbu mahsulotdan foydalanishdan ko'rib chiqing.

Muhim Xavfsizlik Choralari

[O'ZBEK TILIDA UZ]

- Televizor tushib ketib, jarohat yetkazmasligi uchun taglik mahkamlanishi kerak.
- Tozalash – Mahsulotni tozalashdan oldin tokdan uzing. Tozalashda yumshoq nam lattadan foydalaning. Suyuq tozalash vositalari, aerozollar yoki kimyoviy lattadan foydalanmang, bular mahsulotga shikast yetkazishi mumkin.
- Suv va namlik — Mahsulotni vanna, qo'l-bet yuvgich, oshxona idish yuvish joyi, kir yuvish idishlari, basseyn yonida va zax yerto'lada ishlatmang.
- Mahsulot ustiga guldon yoki boshqa suv to'ldirilgan idishlarni qo'ymang. Suv mahsuloti ustiga to'kilib, yong'inga yoki elektr toki urishiga sabab bo'lishi mumkin.
- Taglik — mahsulotni turg'un bo'lmagan aravacha, taglik, uch oyoqli stolcha yoki stolga qo'ymang. Shunday qilsangiz, mahsulotning tushib ketishi va shaxsiy hamda mahsulotning jarohatlanishiga sabab bo'lishi mumkin. Faqatgina ishlab chiqaruvchi tomonidan maslahat berilgan yoki mahsulot bilan birga sotilgan aravacha, taglik, uch oyoqli stolcha, tayanch yoki stoldan foydalaning. Mahsulotni devorga mustahkamlayotganingizda ishlab chiqaruvchining tavsiyalariga rioya qiling. Ishlab chiqaruvchi tavsiya qilgan montaj asboblardan foydalaning.
- Aravachada joylashgan mahsulotni joyini o'zgartirganda uni juda katta ehtiyotkorlik bilan harakatlantirish kerak. To'satdan to'xtash, ortiqcha kuch va notekis pol yuzasi mahsulotni aravachada tushib ketishiga sabab bo'lishi mumkin.
- Ventilatsiya — Korpusdagi shamollatish va boshqa tirqishlar ventilatsiya maqsadida ishlangan. Bu tirqishlarni yopib yoki to'sib qo'ymang, yetarsiz ventilatsiya mahsulotning qizib ketishiga va/yoki uning umrining qisqarishiga olib kelishi mumkin. Mahsulotni yotoq, divan, sholcha yoki boshqa shunga o'xshash yuzga ustiga qo'ymang, chunki ular ventilatsiya tirqishlarini to'sib qo'yishi mumkin. Ushbu mahsulot biron narsaning ichiga o'rnatilishi uchun ishlab chiqarilmagan; mahsulotga kerakli ventilatsiyani ta'minlamasdan va ishlab chiqaruvchining tavsiyalariga rioya qilmasdan kitob javoni yoki tokcha kabi yopiq joyga o'rnatmang.
- Ushbu mahsulotdagi LCD paneli shishadan ishlab chiqarilgan. Shuning uchun u qattiq zarba yoki o'tkir buyum bilan urilganda sinishi mumkin. Agar LCD panel sinisa, singan shisha bo'laklaridan jarohatlanishdan ehtiyot bo'ling.
- Issiqlik manbalari — mahsulotni radiator, isitgich, pechlar va boshqa issiqlik chiqaruvchi mahsulotlardan (kuchaytirgichlardan ham) uzoq tuting.
- Yong'in oldini olish uchun televizor usti yoki yaqiniga har qanday sham turi yoki ochiq olovni joylashtirmang.
- O't chiqishi yoki elektr toki urishini oldini olish uchun elektr toki shnurini televizor yoki boshqa og'ir buyumlar ostidan o'tkazmang.
- Ushbu mahsulot ustiga og'ir buyumlar qo'ymang yoki o'zingiz uning ustiga chiqmang. Agar mahsulot ag'darilib ketsa, jarohatlanishingiz mumkin. Yoningizda bolalar yoki uy jonivorlari bo'lsa, ehtiyotkorlikka alohida e'tibor qaring.
- LCD panel juda yuqori aniqlikdagi texnologiyada ishlab chiqarilgan va 99,99% va undan yuqori samarali piksellarga ega. 0,01% yoki undan kam nuqsonli yoki doimo yonib turadigan piksellar ishlamay qolmaydi.

Televizorni tashishda ehtiyotkorlik choralari

Televizorni tashiyotganda ekranga bosim tushishiga aslo yo'l qo'ymang. Televizorni doim ikki kishi birgalikda ikki qo'l bilan tutgan holda ko'taring – televizorning ikkala tomonidan ushlang.

- Harakatsiz tasvirni uzoq vaqt ko'rsatib turmang, chunki bu qolgan tasvirni paydo bo'lishiga olib kelishi mumkin.
- Mahsulotni shunday o'rnatilgiki, shurni rozetkaga hech qanday to'siqsiz kirgizib chiqarish imkoni bo'lsin.
- Barqarorlik xavfi

Televizor yiqilib, jiddiy shikastlanishga yoki o'limga olib kelishi mumkin. Ko'pgina shikastlanishlar, ayniqsa bolalar, oddiy ehtiyot choralari ko'rish orqali oldini olish mumkin:

- DOIMA televizor ishlab chiqaruvchisi tomonidan tavsiya etilgan shkafar yoki stendlar yoki o'rnatish usullaridan foydalaning.
- HAR DOIM televizorni xavfsiz ushlab turadigan mebdan foydalaning.
- DOIM televizor qo'llab-quvvatlovchi mebel chetidan osib qo'ymasligiga ishonch hosil qiling.
- DOIMA bolalarni televizor yoki uning boshqaruviga yetib borish uchun mebel ustiga chiqish xavfi haqida o'rgating.
- Televizoringizga ulangan shnur va kabellarni xar DOIM qoqib qo'ymaslik, tortib olish yoki ushlash uchun yo'naltiring.
- HECH qachon televizorni beqaror joyga qo'ymang.
- ECH QACHON televizorni baland mebellarga (masalan, shkafar yoki kitob javonlari) mebel va televizorni mos tayanchga mahkamlamasdan qo'ymang.
- Televizorni HECH QACHON televizor va qo'llab-quvvatlovchi mebel o'rtasida joylashgan mato yoki boshqa materiallar ustiga qo'ymang.
- HECH QACHON bolalarni ko'tarilishga undaydigan narsalarni, masalan, o'yinchoqlar va masofadan boshqarish pullarini televizor yoki televizor o'rnatilgan mebelning tepasiga qo'ymang.

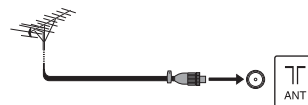
Agar mavjud televizor saqlanib qolinsa va boshqa joyga ko'chirilsa, yuqoridagi kabi mulohazalar qo'llanilishi kerak.

- Televizorni suv tegadigan joyga, jumladan havo konditsioneri tagiga yoki havo namlagichi yaqiniga o'rnatmang.
- Televizorga suv tomchilasa va ichiga suv kirsa, yong'in kelib chiqishi, tok urishi yoki noto'g'ri ishlashi mumkin.
- Televizorni havo konditsioneri havo chiqaradigan joydan kamida 1m uzoqlikda o'rnatishni maslahat beramiz.

Ilk o'rnatish

Televizorni ilk marta ishlatayotganda quyidagi bosqichlarga rioya qiling. Televizorni o'rnatish va ulashdan kelib chiqib, ba'zi bosqichlarni bajarmasa ham bo'lishi mumkin.

- 1 Antenna kabelini antenna ulanish nuqtasiga ulang.



- 2 Shurni rozetkaga ulang.

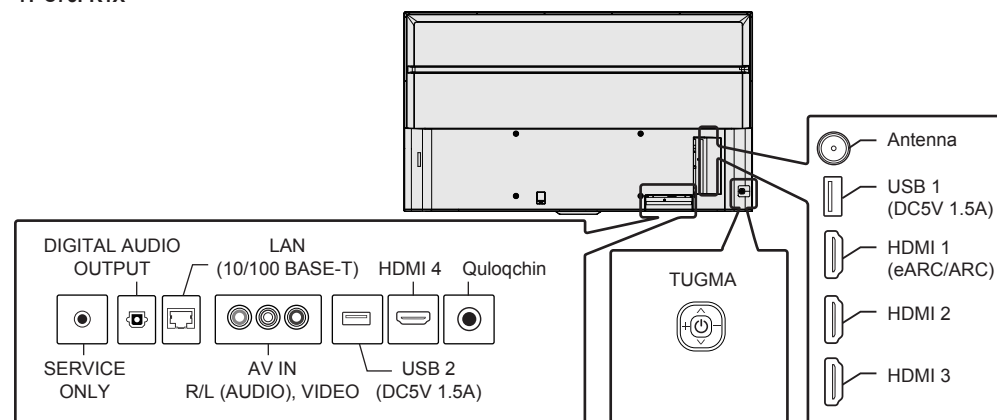
- Televizorni rozetkaga shunday yaqin joyga qo'yingiki, quvvat manbaiga yetishi qiyin bo'lmasin.
- Mahsulot shakli ba'zi davlatlarda o'zgacha bo'ladi.

- 3 Televizordagi (TUGMA) / POWER ni bosing.

- 4 Ilk o'rnatish dasturini ochish.
 - Televizordagi ko'rsatmalarga amal qiling sozlamalarni o'rnatish uchun ekran.

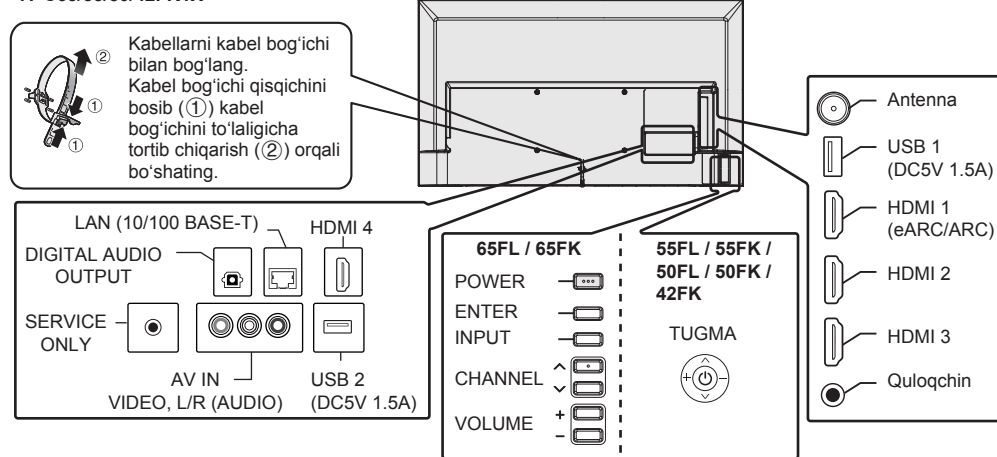
Terminal diagrammasi (Televizor orqa)

4T-C75FK1X



4T-C65/55/50FL1X

4T-C65/55/50/42FK1X



IZOH

- Bu qo'llanmada ishlatilgan chizmalar 4T-C50FL1X / 4T-C50FK1X modeliga tegishli.

E-qo'llanmani ko'rish

Ichki foydalanish yo'riqnomasini ko'rish

Ekranda foydalanish qo'llanmasini ko'rsatadi. Bu qurilmani qanday ishlatishga oid ma'lumotni o'qishingiz mumkin. Internetga ulanish talab qilinadi.

- 1 BOSH ekranni ko'rsatish uchun **(ASOSIY SAHIFA)** tugmasini bosib, **</>** to ni bosib "Manual"ni tanalng va so'ng **ENTER/OK**ni bosib. Ichki foydalanish yo'riqnomasi ko'rsatiladi.
- 2 Kontentni tanlasangiz, sahifasi ko'rsatiladi.



Ilova

Nosozliklarni yo'q qilish

Quyidagi muammolar doim ham noto'g'ri ishlashdan kelib chiqmaydi. Ta'mirlashdan oldin televizorni yana tekshirib ko'ring.

Muammo	Muammoning mumkin bo'lgan yechimi
• Energiya quvvati yoqilmayapti.	• Pultda POWER tugmasini bosgan-bosmaganingizni tekshiring. • Tok simi olib tashlanganmi? • Quvvat yoqildimi?
• Masofaviy boshqaruv pul'ti ishlamayapti.	• Batareyalarning qarama-qarshi qutblari (+, -) e'tiborga olinib pultga qo'yilganmi?
• Hech narsa tasvirlanmayapti.	• Boshqa komponentlarga to'g'ri ulanganmi?
• Ovoz yo'q.	• Boshqa komponentlarga to'g'ri ulanganmi?

INKORLAR

- Ushbu SHARP qurilmasi uchunchi tomondan ta'minlanayotgan ma'lumot va xizmatlarga kirishni yengillashtiradi. Ushbu qurilma orqali olinadigan ma'lumot va xizmatlar uchunchi tomonning mulki bo'lishi mumkin. Shuning uchun, bu ma'lumot va xizmatlardan har qanday foydalanish uning egasi tomonidan belgilangan shartlarga muvofiq amalga oshirilishi kerak. SHARP sizning oldingizda yoki uchunchi tomon oldida siz tomondan buzilgan qoidalar uchun javobgar emas. Agar mavjud ma'lumot va xizmat egalari tomonidan ayrim jihatlarga alohida to'xtab o'tilmagan bo'lsa, u holda uchunchi tomonga tegishli barcha material va xizmatlar shaxsiy foydalanishga mo'ljallangan bo'lib, ularda tijorat maqsadlarida foydalanish mumkin emas; siz bu qurilma orqali ularga o'zgartirish kiritishingiz, nus'ha olishingiz, tarqatishingiz, berishingiz, namoyish qilishingiz, ko'paytirishingiz, internetga yuklashingiz, nashr etishingiz, litsenziyalashingiz, undan ko'chirib ish qilmasligingiz, har qanday shaklda va vosita orqali berish yoki sotishingiz mumkin emas.
- SHARP uchunchi tomonning ma'lumot yoki xizmatlariga doir haridorlar tomonidan bo'ladigan servishga oid masalalar uchun javobgar emas. Uchunchi tomonning ma'lumot yoki xizmatlariga doir har qanday savol bevosita ushbu material yoki xizmatlarning egalari qilinishi zarur.
- Siz turli sabablarga ko'ra qurilma ichidagi ma'lumot va xizmatlarga kira olmasligingiz mumkin bo'lib, bunga sabab elektr energiyasidagi nosozlik, turli internet ulanishi, qurilmani sozlashdagi muammolar va boshqalar bo'lishi mumkin. SHARP, uning ma'muriyati, mansabdor shaxslari, xodimlari, agentlari, pudratchilari va filiallari siz yoki uchunchi tomon oldida yuqoridagi nosozlik va texnik ko'rsatishdagi muammolarga, bu muammolarning oldini olish mumkin yoki mumkin bo'lmaganligidan qat'i nazar, javobgar emas.
- Ushbu qurilmadagi uchunchi tomonning barcha ma'lumot va xizmatlari "QANDAY BO'LSA" VA "SHUNDAY MAVJUD" TAMOYILIGA KO'RA SIZGA BERILADI VA SHARP VA UNING FILIALLARI HECH QANDAY KAFOLAT BERMAYDI, MAJBURIYATNI O'ZIGA OLMAYDI, XUSUSAN EXBOSING KABI VA BOSHQA HAR QANDAY TIJORAT KAFOLATI, AYRIM MAQSADLARGA FOYDALANISHDA RIOYA QILMASLIK, MUVOFIQLIK, KAFOLATINI VA YAROQLILIK, ANIQLIK, TO'LIQLIK, XAVFSIZLIK, NOMLANISH, FOYDALILIK, EHTIYOTSIZLIKNING VA XATONING MAVJUD EMASLIGI, UZLUKSIZ ISHLASH, UCHUNCHI TOMON MA'LUMOTLARI VA XIZMATLARIDAN FOYDALANA OLISHGA VA BULARNING BARCHASI SIZNING TALAB VA ISTAKLARINGIZGA JAVOB BERISHIGA KAFOLATI BERMAYDI.
- SHARP UCHUNCHI TOMONNING AGENTI EMAS, VA UCHUNCHI TOMON MA'LUMOT VA XIZMATLARIGA DOIR MASALALARGA JAVOBGAR HAM EMAS.
- SHARP VAYOKI UNING FILIALLARI SIZNING OLDINGIZDA YOKI UCHUNCHI TOMON OLDIDA HAR QANDAY BEVOSITA, BILVOSITA, ALOHIDA, KUTILMAGANDA, JARIMAVIY VA BOSHQA YO'QOTISHLARGA HAR QANDAY HOLATDA JAVOBGAR EMAS, GARCHI JAVOBGARLIK NAZARIYASI SHARTNOMAGA, HUQUQBZARLIKKA,

Texnik tavsifiar

Rejim	Model	75FK	65FL 65FK	55FL 55FK	50FL 50FK	42FK	
LCD panel		189 sm	164 sm	139 sm	126 sm	105 sm	
Aniqlik (muayyan maydon uchun piksellar soni)		8,294,400 pikseli (3840 × 2160)					
Videoing rangli tizimi		PAL/SECAM/NTSC 3.58/NTSC 4.43/PAL 60					
TV funksiyasi	Televizor -Standart	Analog	PAL: B/G, D/K, I SECAM: B/G, D/K, K/K1 NTSC: M				
		Raqamli	DVB-T/DVB-T2, DTMB (Gonkong uchun)				
	Qabul qilish kanali	VHF/UHF	44,25 – 863,25 MGts				
	TV-signal topish tizimi		Avtomatik oldindan sozlash				
	STEREO/IKKI TILLI		NICAM: B/G, I, D/K A2 stereo: B/G MTS: M				
Audio amplifier		10 W × 2					
Terminals	Antenna	75 Ω DIN turidagi					
	HDMI 1	HDMI 4K, ALLM/VRR, eARC/ARC					
	HDMI 2, 3, 4,	HDMI 4K, ALLM/VRR					
	AV IN	AUDIO kirish joyi, VIDEO kirish joyi					
	USB 1, 2	USB (DC5V 1,5A chiqish)					
	LAN (10/100 BASE-T)	Tarmoq ulanish joyi					
	DIGITAL AUDIO OUTPUT	Raqamli audiochiqish uchun S/PDIF optik chuqurcha					
	Quloqchin	φ 3,5 mm stereo					
	SERVICE ONLY	φ 3,5 mm shteker					
	Wi-Fi protokoli (Wi-Fi xavfsizligi)		IEEE 802.11 a/b/g/n/ac 2T/2R Dual Band (WFA/WPA/WPA2)				
Bluetooth		V2.1/3.0/4.2/5.0					
OSD Tili		Inglizcha/Soddalashtirilgan xitoycha/An'anaviy xitoycha(TW)/ An'anaviy xitoycha(HK)/Arabcha/Frantsuzcha/Portugalcha/Ruscha/Taycha/Vietnamcha/Bahasa Indoneziyacha/Bahasa Maiayziyacha					
Elektr quvvatga bo'lgan talablar		O'zgaruvchan tok 110 – 240 V, 50/60 Gts					
Quvvat sarfi (Vt) (kutish rejimida) (Vt)		235 (0,5)	65FL: 222 (0,5) 65FK: 207 (0,5)	55FL: 176 (0,5) 55FK: 148 (0,5)	50FL: 144 (0,6) 50FK: 122 (0,6)	118 (0,6)	
O'lchamlari	tagliksiz	E x B x Ch (mm)	1678 × 975 × 74	1462 × 854 × 76	1232 × 722 × 80	1118 × 655 × 80	948 × 544 × 80
	taglik bilan	E x B x Ch (mm)	1678 × 1056 × 403	1462 × 920 × 289	1232 × 785 × 273	1118 × 720 × 273	948 × 607 × 273
Tagliksiz vazni (kg) (taglik bilan) (kg)		27,5 (28,5)	22,0 (23,0)	13,0 (13,5)	11,0 (11,5)	7,9 (8,3)	
Ishlash harorati		0°C dan +40°C					

- Muntazam yaxshilash siyosatining bir qismi sifatida, SHARP oldindan e'lon qilmasdan dizaynga va texnik xarakteristikalariga o'zgarish kiritish huquqiga ega. Berilgan texnik tavsifiar ishlab chiqariladigan uskunalarning nominal ko'rsatgichidir. Ayrim uskunalarda bu o'lchamlar farqlanishi imkon mavjud.
- Tanlangan mamlakatga qarab, xarakteristikasi farqlanishi mumkin.

EHTIYOT BO'LING

- Suyuq kristalli televizorni o'rnatish uchun maxsus tajriba kerak, uni malakali mutaxassis amalga oshirsin. SHARP kompaniyasi televizor shikastlanishi yoxud odam jarohatlanishiga keltiruvchi xato o'rnatish yoki noto'g'ri o'rnatish uchun javobgar emas.
- Ishni boshlashdan oldin kronshteyn bilan kelgan yo'riqnomalarni diqqat qilib o'qing.
- Televizionni egilish holatida o'rnatmang/o'rnatmang.

親愛的 SHARP 顧客

衷心感謝您購買 SHARP 液晶電視機。為確保安全使用本機及令本機更加耐用，請務必在使用本產品前仔細閱讀重要的安全注意事項。

重要的安全注意事項

[中文 CT]

- 必須安裝台座，以防止電視機跌落造成傷害。
- 清潔—清潔產品前，請從交流電源插座上拔下交流電源線。使用柔軟濕潤的布料來清潔產品。請勿使用液態清潔劑，氣溶膠清潔劑或沾染化學成分的布料來清理，因為此類材料可能會損壞產品。
- 水和潮濕—不要在近水之處使用本機，例如在靠近洗澡盆，洗臉盆，廚房洗滌槽，洗衣盆，游泳池等，也不要潮濕的地下室中使用。
- 請勿在本機之上放置花瓶或任何其他盛水的容器。若有水滴濺到本機上，就可能引起火災或觸電。
- 不要將本機放置於不穩定的推車，台座，三腳架或桌面上。不穩固的基座可能會使本機掉落，導致嚴重的人身傷害以及造成產品損壞。請僅使用本製造商所推薦或與本產品配套出售的推車，台座，三腳架，托架或桌子。將本機安裝與牆上時，請務必遵照本製造商的指示。而且只可以使用本製造商所推薦的安裝器材。
- 將本機放置於推車上搬運時，必須小心注意安全。急停，用力過度，地面不平等等，都會導致本機從推車上掉落。
- 通風—本機外殼上的散熱孔與其他開口處都是用於散熱通風。請勿堵塞這些散熱孔或開口處，通風散熱不良會使本機過熱和/或縮短本機的使用壽命。請勿將本機置於臥室，沙發，地毯或其他類似物品上，因為這些物品會堵塞散熱通風孔。本機之設計不適用於嵌入式安裝；所以不要將本機置於像書櫃，機架等封閉之處，除非提供合適的通風或遵照本製造商的指示安裝。
- 本機所用之液晶電視機用玻璃製造的。因此，在受到強力撞擊或遭到尖銳物品刻劃時會破損。萬一液晶電視機破損，請小心不要被破碎玻璃割傷。
- 熱源—請勿讓本機接近熱源，如暖氣機，加熱器，爐灶或者其他任何會產生熱能的產品（包括廣大機在內）。
- 為防止發生火災，請勿將任何種類的蠟燭或火焰置於電視機上或其附近。
- 為了防止火災或觸電的危險，請勿將交流電源線置於電視機或其他重物下。
- 請勿在本機之上放置重物或攀爬於本機之上。這樣做可能導致本機傾倒而造成傷害。特別要注意附近的兒童和寵物。
- 液晶螢幕採用極高精度技術製造，有效像素達到 99.99% 以上。0.01% 或以下的缺失像素，或者那些始終亮著的像素不是故障。

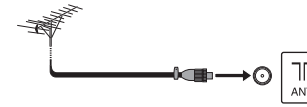
在搬運電視機時的注意事項

- 在搬運電視機時，切勿握持或施加壓力於顯示屏上。任何時候都必須由兩個人或多人用雙手搬運—電視機的每一側用一雙手握住。
- 請勿長時間顯示靜止畫面，這可能會導致殘留影像。
 - 請將本機安裝於能夠很容易地將交流電源線從交流電源插座和本機機背後的 AC INPUT（交流電源輸入）端子上撥出的地方。
 - 穩定性的危險
電視機可能掉落，造成嚴重的人身傷害或死亡。許多傷害，尤其是對兒童的傷害，可以通過採取簡單的預防措施來避免，例如：
 - 使用電視機製造商推薦的機櫃、支架或安裝方法。
 - 使用能夠安全放置電視機的家具。
 - 確保電視機的邊緣沒有伸出所放置的家具外。
 - 教育孩子請勿攀爬到電視機之上。這樣做可能導致本機傾倒而造成危險。
 - 將連接到電視的電源和信號線整理好，以免被絆倒、拉扯或傾倒等。
 - 切勿將電視機放置在不穩定的地方。
 - 切勿將電視機放在過高的家具上（例如，櫥櫃或書櫃），而家具和電視機都必須放置在穩固的地方。
 - 切勿將電視機放置於臥床，地毯或其他類似的布料或物料上。
 - 切勿在電視機頂部擺放可能會誘使兒童攀爬的物品，例如玩具和遙控器。
 - 如果要保存或搬運現有電視機，則應採用與上述相同的考慮因素。
 - 請勿將電視機安裝在空調機下方或加濕器附近等會受到水滴影響的位置。
 - 水滴掉落在電視機上並進入其中可能會造成起火，電擊或故障。
 - 建議您將電視機安裝在距離冷氣出口至少 1 米的位置。

初始安裝

第一次使用本電視機時，請按照以下步驟逐一操作。視您的電視機安裝與連接而定，可能不需要進行某些步驟。

- 將天線連接線連接至天線端子。



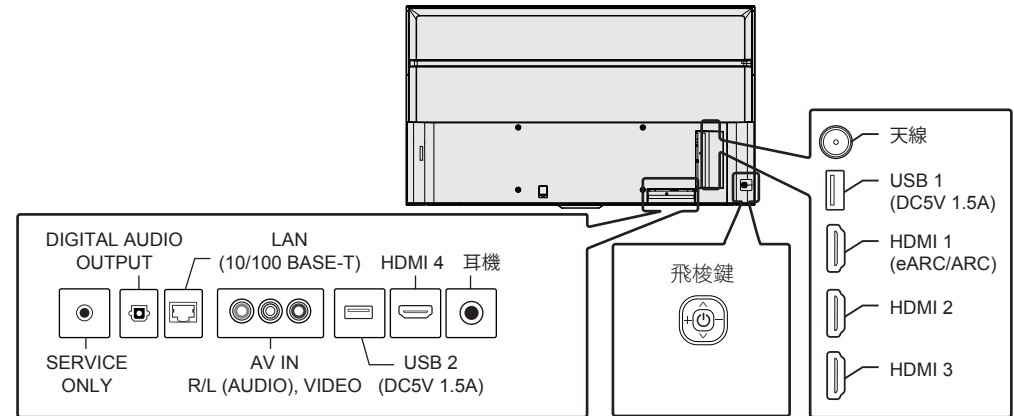
- 將交流電源線插入交流電源插座。

- 將電視機放在靠近交流電源插座的位置，以便電源插頭就近使用。
- 某些國家/地區的產品外觀各不相同。

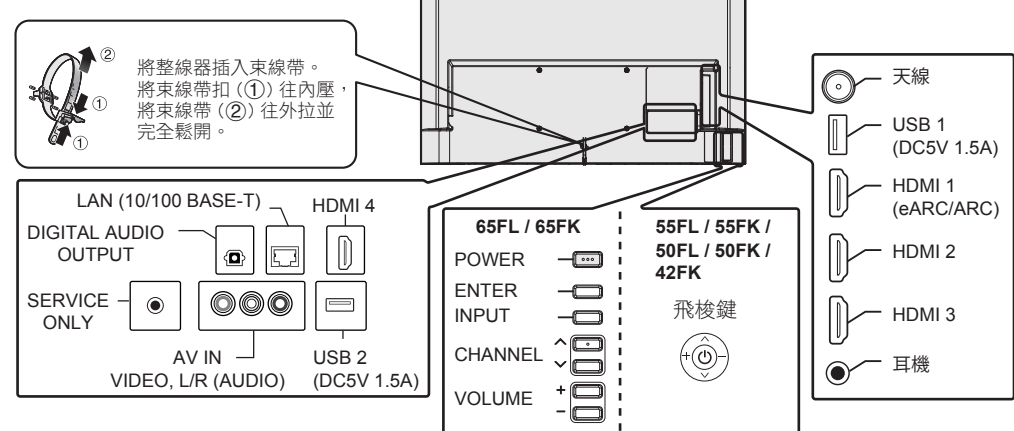
- 按下電視機上的 / (飛梭鍵) / POWER。
- 執行初始安裝。
 - 按照電視機螢幕上的指示設置設定。

端子圖 (電視背面)

4T-C75FK1X



4T-C65/55/50FL1X 4T-C65/55/50/42FK1X



注

- 本手冊中使用的插圖是根據 4T-C50FL1X / 4T-C50FK1X。

觀看電子手冊

觀看內建操作手冊

內建操作指南顯示於螢幕上。您可以閱讀此裝置的操作說明。

需要互聯網連接。

- 1 按下 **HOME** (首頁)，顯示 HOME (首頁) 畫面，按下 **</>** 選擇「手冊」，然後按下 **ENTER/OK**。將顯示內建操作手冊畫面。

- 2 選擇目錄時，將顯示其頁面。



附錄

疑難排解

下述問題並非一定由於故障而引起。將電視機送修之前，請再次檢查電視機。

問題	可能的解決方案
<ul style="list-style-type: none"> 沒有電源。 	<ul style="list-style-type: none"> 檢查是否按下了遙控器上的 POWER (電源)。 AC電源線是否中斷連接？ 主電源是否被打開？
<ul style="list-style-type: none"> 遙控器無法運作。 	<ul style="list-style-type: none"> 電池是否按極性 (+、-) 放入？
<ul style="list-style-type: none"> 沒有影像。 	<ul style="list-style-type: none"> 與其他組件的連接是否正確？
<ul style="list-style-type: none"> 沒有聲音。 	<ul style="list-style-type: none"> 與其他組件的連接是否正確？

免責聲明

- 此 SHARP 設備有助於訪問第三方提供的內容與服務。可通過此設備訪問的內容與服務屬於第三方，且可能是第三方專有的。因此，對此類第三方內容與服務的任何使用，均必須符合此類內容或服務提供商所提供的任何授權或使用條款。SHARP 對閣下或任何第三方不遵守此類授權或使用條款概不負責。除非適用的內容或服務提供商另有明確授權，否則所提供的所有第三方內容與服務僅作個人及非商業用途；閣下不得修改、複製、分發、傳輸、展示、執行、重現、上傳、發佈、授權、據其創作衍生作品，以任何方式或媒介轉讓或出售通過此設備提供的任何內容或服務。
- SHARP 對與第三方內容或服務有關的客戶服務相關問題不承擔任何責任。與第三方內容或服務有關的任何疑問、評論或服務相關查詢，應直接向適用的內容或服務提供商提出。出於多種原因，閣下可能無法從設備訪問內容或服務，這些原因可能與設備本身無關，包括但不限於電源故障、其他互聯網連線或無法正確設定設備。SHARP、其董事、高級管理人員、僱員、代理商、承辦商和聯營公司不會就此類故障或檢修停機對閣下或任何第三方承擔責任，不論其原因為何或是否可以避免。
- 可通過本設備訪問的所有第三方內容或服務，係按「原樣」及「現有」基礎提供予閣下，SHARP 及其關聯公司不對閣下做出任何形式的任何明示或默示保證或聲明，包括但不限於對適銷性、不侵權、對特定用途之適用性的任何保證；或對適用性、可用性、準確性、完整性、安全性、所有權、實用性、無過失或錯誤或連續操作或使用提供予閣下的服務或內容，或者內容或服務將滿足閣下要求或期望的保證。
- SHARP 不是第三方內容或服務提供商的代理人，不對第三方內容或服務提供商的作為或不作為負責，亦不對與此類第三方提供商有關的內容或服務的任何方面負責。
- 不論責任理論是基於合約、侵權、過失、違反保證、嚴格責任或其他，亦不論 SHARP 及/或關聯公司是否知曉此類損害賠償的可能性，SHARP 及/或關聯公司均不對閣下或任何第三方就任何直接、間接、特殊、偶發、懲罰性、後果性或其他損害負責。

規格

項目	型號	75FK	65FL 65FK	55FL 55FK	50FL 50FK	42FK	
液晶面板		189 cm	164 cm	139 cm	126 cm	105 cm	
解析度		8,294,400 像素 (3840 × 2160)					
視頻彩色系統		PAL / SECAM / NTSC 3.58 / NTSC 4.43 / PAL 60					
電視功能	電視-標準	模擬	PAL: B/G, D/K, I SECAM: B/G, D/K, K/K1 NTSC: M				
		數碼	DVB-T/DVB-T2, DTMB (香港)				
	接收頻道	VHF/UHF	44.25 – 863.25 MHz				
	電視-調諧系統		自動預設				
	立體聲/雙語		NICAM: B/G, I, D/K A2 立體聲: B/G MTS: M				
音頻放大器		10 W × 2					
端子	天線	75 Ω DIN 型					
	HDMI 1 (輸入 1)	HDMI 4K, ALLM/VRR, eARC/ARC					
	HDMI 2, 3, 4 (輸入 2, 3, 4)	HDMI 4K, ALLM/VRR					
	AV IN (影音輸入)	音頻輸入，視訊輸入					
	USB 1, 2	USB (DC5V 1.5A 輸出)					
	LAN (乙太網絡) (10/100 BASE-T)	網路連接器					
	DIGITAL AUDIO OUTPUT (數位聲音輸出)	光學 S/PDIF 數位聲音輸出					
	耳機	φ 3.5 mm 立體聲					
SERVICE ONLY (僅供售後服務使用)	φ 3.5 mm 插孔						
Wi-Fi通訊協定 (Wi-Fi通訊安全)		IEEE 802.11 a/b/g/n/ac 2T/2R 雙頻 (WPA/WPA/WPA2)					
Bluetooth		V2.1/3.0/4.2/5.0					
螢幕顯示語言		英文 / 簡體中文 / 繁體中文 (台灣) / 繁體中文 (香港) / 阿拉伯語 / 法語 / 葡萄牙語 / 俄語 / 泰語 / 越南語 / 印尼語 / 馬來語					
額定電壓額定頻率		AC 110 – 240 V, 50/60 Hz					
額定消耗電功率 (W) (待機) (W)		235 (0.5)	65FL: 222 (0.5) 65FK: 207 (0.5)	55FL: 176 (0.5) 55FK: 148 (0.5)	50FL: 144 (0.6) 50FK: 122 (0.6)	118 (0.6)	
	尺寸						
	不含台座	寬 × 高 × 深 (mm)	1678 × 975 × 74	1462 × 854 × 76	1232 × 722 × 80	1118 × 655 × 80	948 × 544 × 80
	含台座	寬 × 高 × 深 (mm)	1678 × 1056 × 403	1462 × 920 × 289	1232 × 785 × 273	1118 × 720 × 273	948 × 607 × 273
不含台座重量 (kg)		27.5	22.0	13.0	11.0	7.9	
(含台座重量) (kg)		(28.5)	(23.0)	(13.5)	(11.5)	(8.3)	
操作溫度		0°C 到 + 40°C					

- 作為不斷改進政策的一部份，SHARP 保留改進產品而變更設計和規格的權利，恕不另行通知。以上性能規格的數值為產品設備的標稱值。個別設備的相關數值可能略有差異。
- 規格可能因所選國家/地區而異。

警告

- 安裝液晶電視需要專業技術，因此必須由合格的維修人員進行。顧客不應自行嘗試安裝。SHARP 對於安裝不當或安裝造成的事故或傷害不承擔任何責任。
- 開始操作前，請詳細閱讀托架隨附的說明。
- 請勿在傾斜狀態下安裝/壁掛電視。

Appendix

Trademarks

Google TV is the name of this device's software experience and a trademark of Google LLC. Google, YouTube, Google Photos, Chromecast built-in and other marks are trademarks of Google LLC.

Google Assistant is not available in certain languages and countries. Availability of services varies by country and language.

Dolby, Dolby Audio, Dolby Atmos, Dolby Vision, Dolby Vision IQ and the double-D symbol are trademarks of Dolby Laboratories Licensing Corporation. Manufactured under license from Dolby Laboratories. Confidential unpublished works. Copyright © 1992–2022 Dolby Laboratories. All rights reserved.

The terms HDMI, HDMI High-Definition Multimedia Interface, HDMI Trade dress and the HDMI Logos are trademarks or registered trademarks of HDMI Licensing Administrator, Inc.

The Wi-Fi CERTIFIED™ Logo is a certification mark of Wi-Fi Alliance®.

The Bluetooth® word mark and logos are registered trademarks owned by Bluetooth SIG, Inc. and any use of such marks by SHARP Corporation is under license. Other trademarks and trade names are those of their respective owners.

Covered by one or more claims of the HEVC patents listed at patentlist.accessadvance.com.













ANY USE OF THIS PRODUCT IN ANY MANNER OTHER THAN PERSONAL USE THAT COMPLIES WITH THE MPEG-2 STANDARD FOR ENCODING VIDEO INFORMATION FOR PACKAGED MEDIA IS EXPRESSLY PROHIBITED WITHOUT A LICENSE UNDER APPLICABLE PATENTS IN THE MPEG-2 PATENT PORTFOLIO, WHICH LICENSE IS AVAILABLE FROM MPEG LA, LLC, 6312 S. Fiddlers Green Circle, Suite 400 E, Greenwood Village, Colorado 80111 U.S.A.

THIS PRODUCT IS LICENSED UNDER THE VC-1 PATENT PORTFOLIO LICENSE FOR THE PERSONAL AND NON-COMMERCIAL USE OF A CONSUMER TO (i) ENCODE VIDEO IN COMPLIANCE WITH THE VC-1 STANDARD ("VC-1 VIDEO") AND/OR (ii) DECODE VC-1 VIDEO THAT WAS ENCODED BY A CONSUMER ENGAGED IN A PERSONAL AND NON-COMMERCIAL ACTIVITY AND/OR WAS OBTAINED FROM A VIDEO PROVIDER LICENSED TO PROVIDE VC-1 VIDEO. NO LICENSE IS GRANTED OR SHALL BE IMPLIED FOR ANY OTHER USE. ADDITIONAL INFORMATION MAY BE OBTAINED FROM MPEG LA, L.L.C. SEE [HTTP://WWW.MPEGLA.COM](http://WWW.MPEGLA.COM)

THIS PRODUCT IS LICENSED UNDER THE AVC PATENT PORTFOLIO LICENSE FOR THE PERSONAL USE OF A CONSUMER OR OTHER USES IN WHICH IT DOES NOT RECEIVE REMUNERATION TO (i) ENCODE VIDEO IN COMPLIANCE WITH THE AVC STANDARD ("AVC VIDEO") AND/OR (ii) DECODE AVC VIDEO THAT WAS ENCODED BY A CONSUMER ENGAGED IN A PERSONAL ACTIVITY AND/OR WAS OBTAINED FROM A VIDEO PROVIDER LICENSED TO PROVIDE AVC VIDEO. NO LICENSE IS GRANTED OR SHALL BE IMPLIED FOR ANY OTHER USE. ADDITIONAL INFORMATION MAY BE OBTAINED FROM MPEG LA, L.L.C. SEE [HTTP://WWW.MPEGLA.COM](http://WWW.MPEGLA.COM)

THIS PRODUCT IS LICENSED UNDER THE MPEG-4 VISUAL PATENT PORTFOLIO LICENSE FOR THE PERSONAL AND NON-COMMERCIAL USE OF A CONSUMER FOR (i) ENCODING VIDEO IN COMPLIANCE WITH THE MPEG-4 VISUAL STANDARD ("MPEG-4 VIDEO") AND/OR (ii) DECODING MPEG-4 VIDEO THAT WAS ENCODED BY A CONSUMER ENGAGED IN A PERSONAL AND NON-COMMERCIAL ACTIVITY AND/OR WAS OBTAINED FROM A VIDEO PROVIDER LICENSED BY MPEG LA TO PROVIDE MPEG-4 VIDEO. NO LICENSE IS GRANTED OR SHALL BE IMPLIED FOR ANY OTHER USE. ADDITIONAL INFORMATION INCLUDING THAT RELATING TO PROMOTIONAL, INTERNAL AND COMMERCIAL USES AND LICENSING MAY BE OBTAINED FROM MPEG LA, L.L.C. SEE [HTTP://WWW.MPEGLA.COM](http://WWW.MPEGLA.COM)

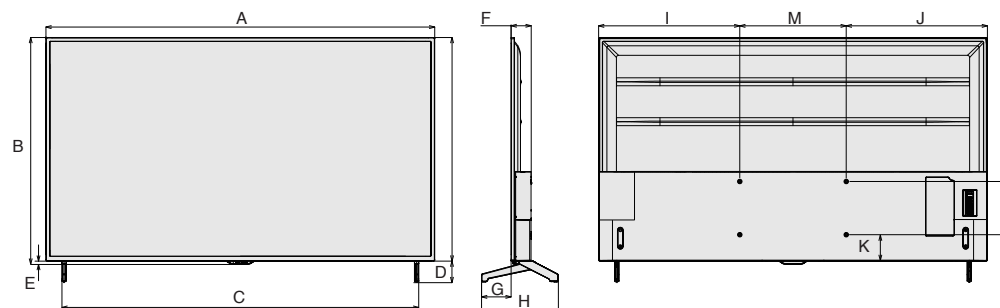
Appendix

EN	<p>Symbols placed on equipment</p>  <ul style="list-style-type: none"> This mark indicates the product operates on AC Voltage.  <ul style="list-style-type: none"> This mark indicates a class II or double insulated electrical appliance wherein the product does not require a safety connection to electrical earth (ground).
VN	<p>Các biểu tượng trên thiết bị</p>  <ul style="list-style-type: none"> Dấu này cho biết sản phẩm sử dụng Điện áp Xoay chiều.  <ul style="list-style-type: none"> Dấu này cho biết thiết bị điện loại II hoặc được cách điện kép không cần nối đất an toàn (tiếp đất).
TH	<p>เครื่องหมายบนอุปกรณ์</p>  <ul style="list-style-type: none"> เครื่องหมายนี้ระบุว่าผลิตภัณฑ์นี้ทำงานด้วยไฟกระแสสลับ  <ul style="list-style-type: none"> เครื่องหมายนี้ระบุว่าผลิตภัณฑ์นี้เป็นอยู่ในประเภทที่ 2 หรือมีการหุ้มฉนวนสองชั้น ซึ่งไม่จำเป็นต้องมีการต่อสายดิน
RU	<p>Символы на оборудовании</p>  <ul style="list-style-type: none"> Этот знак указывает, что изделие работает от сети переменного тока.  <ul style="list-style-type: none"> Этот знак означает электрическое устройство с изоляцией класса 2 или двойной изоляцией, для которого не требуется подключение к земле (заземление).
UZ	<p>Uskunaga qo'yilgan belgilar</p>  <ul style="list-style-type: none"> Bu belgi uskunaning o'zgaruvchan kuchlanishda ishlashini bildiradi.  <ul style="list-style-type: none"> Bu belgi II-sinfga tegishli yoki ikki qatlamli izolyatsiyali elektr jihozni bildiradi, bu uskunani yerga ulash shart emas.
CT	<p>設備上の符號</p>  <ul style="list-style-type: none"> 此標誌表示產品在交流電壓下工作。  <ul style="list-style-type: none"> 此標誌表示 II 類或雙重絕緣電器，其中產品不需要電氣接地的安全連接。

Appendix

EN	<p>Clearing the password</p> <p>If you forget the password, clear the password using the following procedure.</p> <ol style="list-style-type: none"> From the Dashboard screen, select "Settings" > "System" > "About" > "Reset" > "Factory reset", and then press ENTER/OK. When you perform a reset, the TV will be returned to the factory preset values, and you need to set the password again. <p>NOTE</p> <ul style="list-style-type: none"> As a precautionary measure, make a note of your password, and keep it in a safe place.
VN	<p>Xóa mật khẩu</p> <p>Nếu bạn quên mật khẩu, hãy xóa mật khẩu bằng thủ tục sau đây.</p> <ol style="list-style-type: none"> Từ màn hình Trang tổng quan, chọn "Cài đặt" > "Hệ thống" > "Giới thiệu" > "Đặt lại" > "Đặt lại về trạng thái ban đầu", sau đó nhấn ENTER/OK. Khi tiến hành đặt lại, TV sẽ trở về các giá trị cài đặt sẵn khi xuất xưởng, và bạn cần cài đặt lại mật khẩu. <p>CHÚ Ý</p> <ul style="list-style-type: none"> Để phòng ngừa, hãy ghi lại mật khẩu của bạn và cất giữ nó ở nơi an toàn.
TH	<p>การลบรหัสผ่าน</p> <p>ถ้าคุณลืมรหัสผ่าน ให้ล้างรหัสผ่านโดยใช้ขั้นตอนต่อไปนี้</p> <ol style="list-style-type: none"> จากหน้าจอแดชบอร์ด "การตั้งค่า" > "ระบบ" > "เกี่ยวกับ" > "รีเซ็ต" > "รีเซ็ตเป็นค่าเริ่มต้น" จากนั้นกด ENTER/OK. เมื่อรีเซ็ต ที่รีเซ็ตกลับไปเป็นค่าที่ตั้งไว้จากโรงงาน และคุณต้องตั้งรหัสผ่านอีกครั้ง <p>หมายเหตุ</p> <ul style="list-style-type: none"> เพื่อเป็นมาตรการป้องกันไว้ก่อน ให้จดบันทึกรหัสผ่านของคุณและเก็บไว้ในที่ปลอดภัย
RU	<p>Удаление пароля</p> <p>Если вы забыли пароль, удалите его, используя следующую процедуру.</p> <ol style="list-style-type: none"> На экране Панель управления выберите «Настройки» > «Система» > «Об устройстве» > «Сброс» > «Сброс настроек», а затем нажмите ENTER/OK. В случае проведения процедуры сброса настроек будут применены заводские настройки телевизора и вам потребуется снова задать пароль. <p>ПРИМЕЧАНИЕ</p> <ul style="list-style-type: none"> В целях безопасности запишите свой пароль и храните его в надежном месте.
UZ	<p>Parolni o'chirish</p> <p>Agar parolni unutsangiz, quyidagi bosqichlarga amal qilgan holda uni o'chirib tashlang.</p> <ol style="list-style-type: none"> Boshqaruv paneli ekrandan, "Settings" > "System" > "About" > "Reset" > "Factory reset" ni tanlang va so'ng ENTER/OK ni bosing. Sozlamalarni asliga qaytarganda, televizor zavodda sozlangan qiymatlarga qaytadi va parolni qaytadan o'rnatish zarur bo'ladi. <p>IZOH</p> <ul style="list-style-type: none"> Ehtiyot chorasi sifatida parolingizni bir joyga yozib qo'ying va uni xavfsiz joyda saqlang.
CT	<p>清除密碼</p> <p>如果您忘記了密碼，請依照下列步驟來清除密碼。</p> <ol style="list-style-type: none"> 在資訊主頁畫面中，選擇「設定」>「系統」>「關於」>「重設」>「回復原廠設定」，然後按下 ENTER/OK。 電視機重置後將恢復原廠設定，需重設密碼。 <p>註</p> <ul style="list-style-type: none"> 以防萬一，請記下密碼並妥善保管。

Dimensional Drawing



Unit : mm

Model name	A	B	C	D	E	F	G	H	I	J	K	VESA	
												L x M	Type & Depth
4T-C75FK1X	1678	975	1636	95	14	74	188	403	539	539	75	300 x 600	M8 x 32
4T-C65FL1X	1462	854	1341	79	13	76	111	289	531	531	100	200 x 400	M6 x 15
4T-C65FK1X	1462	854	1341	79	13	76	111	289	531	531	100	200 x 400	M6 x 15
4T-C55FL1X	1232	722	1043	78	5	80	108	273	466	466	144	200 x 300	M6 x 30
4T-C55FK1X	1232	722	1043	78	5	80	108	273	466	466	144	200 x 300	M6 x 30
4T-C50FL1X	1118	655	928	80	15	80	108	273	409	409	122	200 x 300	M4 x 12
4T-C50FK1X	1118	655	928	80	15	80	108	273	409	409	122	200 x 300	M4 x 12
4T-C42FK1X	948	544	761	78	15	80	112	273	399	399	177	150 x 150	M4 x 12

SHARP

SHARP CORPORATION

Printed in Malaysia
 Đưọc in tại Malaysia
 พิมพ์ในประเทศไทย
 Напечатано в Малайзии
 Malayziyada nashr qilingan
 马来西亚印刷